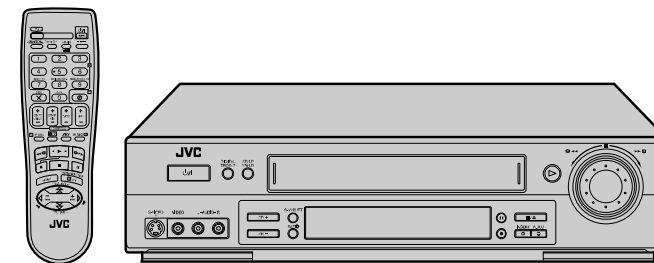


SERVICE MANUAL

MAGNETOSCOPE

HR-S6700MS/S7700MS



Hi-Fi **S**VHS₆₂₅
SHOWVIEW[®]
 DELUXE
 Super VHS ET

HR-S6700MS/S7700MS

CARACTERISTIQUES TECHNIQUES *(The specifications shown pertain specifically to the model HR-S7700MS)*
GÉNÉRALES

Alimentation : CA 220 V – 240 V ~ , 50 Hz/60 Hz
 Consommation
 Alimentation en marche : 25 W
 Alimentation en veille : 4,7 W
 Températures
 Fonctionnement : 5°C à 40°C
 Stockage : -20°C à 60°C
 Position de fonctionnement
 : Seulement horizontale
 Dimensions (LxHxP) : 400 mm x 94 mm x 344 mm
 Poids : 4,3 kg
 Format : Standard S-VHS/VHS PAL/SECAM
 Largeur de bande : 12,65 mm
 Vitesse de bande
 (VN) : 23,39 mm/s
 (LD) : 11,70 mm/s
 Durée maximale d'enregistrement
 (VN) : 240 mn avec une cassette vidéo E-240
 (LD) : 480 mn avec une cassette vidéo E-240

VIDÉO/AUDIO

Système de signal : Signaux couleur PAL/SECAM et signal monochrome CCIR, 625 lignes/50 trames
 Système d'enregistrement
 : Balayage hélicoïdal DA4 (Double Azimuth)
 Entrée : 0,5 Vcc à 2,0 Vcc, 75 ohms, asymétrique
 Sortie : 1,0 Vcc, 75 ohms, asymétrique
 Rapport signal/bruit : 45 dB
 Résolution horizontale : 400 lignes (S-VHS-PAL)
 250 lignes (VHS-PAL)
 240 lignes (VHS-SECAM)
 Gamme de fréquence : 70 Hz à 10.000 Hz (Audio normal)
 20 Hz à 20.000 Hz (Audio Hi-Fi)
 Entrée/sortie : Connecteurs péritelévision à 21 broches :
 ENTREE/SORTIE x 1, ENTREE/DECODEUR x 1
 Connecteurs RCA:
 ENTREE VIDEO x 1,
 ENTREE AUDIO x 1,
 SORTIE AUDIO x 1
 Connecteurs S-Vidéo:
 ENTREE x 1, SORTIE x 1

SYNTONISEUR

Système de syntonisation : Syntoniseur à synthèse de fréquence
 Capacité de canaux TV : 99 positions (+ position AUX)
 Canaux couverts

Gamme	SECAM L		PAL B/G	
	Fréquence	Canaux	Fréquence	Canaux
VHF (LOW)	49 MHz – 65 MHz	2 – 4	47 MHz – 89 MHz	E2 – E4 X, Y, Z
VHF (HIGH)	104 MHz – 300 MHz	5 – 10 CATV	104 MHz – 300 MHz	E5 – E12 S1 – S20 M1 – M10 U1 – U10
Hyper	300 MHz – 470 MHz	CATV	302 MHz – 470 MHz	S21 – S41
UHF	470 MHz – 862 MHz	21 – 69	470 MHz – 862 MHz	E21 – E69

MINUTERIE

Référence de l'horloge : Par quartz
 Capacité de programmation : Minuterie sur 1 an/8 programmes
 Durée de soutien mémoire : 60 mn

ACCESSOIRES

Accessoires fournis : Câble RF,
 Câble péritelévision à 21 broches,
 Adaptateur antenne,
 Contrôleur satellite RM-SD1,
 Boîtier de télécommande à infrarouge,
 Pile "R6" x 2,
 Etiquettes S-VHS ET

*Les caractéristiques techniques sont pour le mode VN à moins d'indication contraire.
 Présentation et caractéristiques modifiables sans préavis.*

ATTENTION:

Ce magnétoscope contient des microprocesseurs. Des bruits électroniques externes ou des interférences peuvent causer un mauvais fonctionnement. Dans de tels cas, couper l'alimentation et débrancher le cordon d'alimentation. Puis le rebrancher et remettre l'alimentation. Sortir la cassette. Après contrôle de la cassette, faire fonctionner l'appareil comme d'ordinaire.

TABLE OF CONTENTS

Section	Title	Page	Section	Title	Page
Important Safety Precautions			3.3.2	EE Y level	3-3
INSTRUCTIONS			3.3.3	PB Y level (S-VHS / VHS)	3-3
1. DISASSEMBLY			3.3.4	REC color (colour) level	3-3
1.1	DISASSEMBLY FLOW CHART	1-1	3.3.5	Video EQ (Frequency response)	3-4
1.2	HOW TO READ THE DISASSEMBLY AND ASSEMBLY	1-1	3.3.6	AUTO PICTURE initial setting	3-4
1.3	DISASSEMBLY/ASSEMBLY METHOD	1-1	3.4	AUDIO CIRCUIT	3-5
1.4	SERVICE POSITION	1-4	3.4.1	Audio REC FM	3-5
1.4.1	How to take out the Mechanism and Main board assemblies	1-4	3.5	PAL/SECAM CONVERTER CIRCUIT	3-5
1.4.2	Precautions for cassette loading in the "SERVICE POSITION"	1-5	3.5.1	1H VCO	3-5
1.4.3	Cassette loading and ejection methods in the "SERVICE POSITION"(See Fig. 1-4-3).	1-5	3.5.2	DEMODO Fo	3-5
1.5	MECHANISM SERVICE MODE	1-5	3.5.3	Colour difference level	3-6
1.5.1	How to set the "MECHANISM SERVICE MODE"	1-5	3.5.4	PAL burst position	3-6
1.6	EMERGENCY DISPLAY FUNCTION	1-6	4. CHARTS AND DIAGRAMS		
1.6.1	Displaying the emergency information	1-6		NOTES OF SCHEMATIC DIAGRAM	4-1
1.6.2	Clearing the emergency history	1-6		CIRCUIT BOARD NOTES	4-2
1.6.3	Emergency content description	1-7	4.1	BOARD INTERCONNECTIONS	4-3
1.6.4	Emergency detail information①	1-8	4.2	VIDEO/AUDIO AND AUDIO ERASE SCHEMATIC DIAGRAMS	4-5
1.6.5	Emergency detail information②	1-9	4.3	SYSTEM CONTROL SCHEMATIC DIAGRAM	4-7
1.7	SYSCON CIRCUIT	1-10	4.4	SWITCHING REGULATOR SCHEMATIC DIAGRAM	4-9
1.7.1	Syscon CPU pin function (IC3001) 1/2	1-10	4.5	TUNER SCHEMATIC DIAGRAM	4-11
1.7.2	Syscon CPU pin function (IC3001) 2/2	1-11	4.6	CONNECTION SCHEMATIC DIAGRAM	4-13
2. MECHANISM ADJUSTMENT			4.7	2D DIGITAL SCHEMATIC DIAGRAM [HR-S6700MS]	4-15
2.1	BEFORE STARTING REPAIR AND ADJUSTMENT	2-1	4.8	3D DIGITAL/2M SCHEMATIC DIAGRAM [HR-S7700MS]	4-17
2.1.1	Precautions	2-1	4.9	TERMINAL SCHEMATIC DIAGRAM	4-19
2.1.2	Checking for Proper Mechanical Operations	2-1	4.10	DEMOMULATOR SCHEMATIC DIAGRAM	4-21
2.1.3	Manually Removing the Cassette Tape	2-1	4.11	S-SUB SCHEMATIC DIAGRAM	4-23
2.1.4	Jigs and Tools Required for Adjustment	2-2	4.12	SW/DISPLAY, REC SAFETY, JACK AND SHUTTLE/PLAY SCHEMATIC DIAGRAMS [HR-S6700MS]	4-25
2.1.5	Maintenance and Inspection	2-3	4.13	SW/DISPLAY, REC SAFETY, JACK AND JOG SCHEMATIC DIAGRAMS [HR-S7700MS]	4-27
2.2	REPLACEMENT OF MAJOR PARTS	2-6	4.14	P/S CONVERTER SCHEMATIC DIAGRAM	4-29
2.2.1	Before Starting Disassembling (Phase matching between mechanical parts)	2-6	4.15	SECAM SCHEMATIC DIAGRAM	4-31
2.2.2	How to Set the Mechanism Assembling Mode	2-6	4.16	MAIN, AUDIO ERASE, A/C HEAD AND LOADING MOTOR CIRCUIT BOARDS	4-35
2.2.3	Cassette Holder Assembly	2-6	4.17	2D DIGITAL CIRCUIT BOARD [HR-S6700MS]	4-37
2.2.4	Pinch Roller Arm Assembly	2-8	4.18	3D DIGITAL/2M CIRCUIT BOARD [HR-S7700MS]	4-37
2.2.5	Guide Arm Assembly and Press Lever Assembly	2-8	4.19	TERMINAL CIRCUIT BOARD	4-38
2.2.6	Audio Control Head	2-8	4.20	DEMOMULATOR CIRCUIT BOARD	4-39
2.2.7	Loading Motor	2-8	4.21	S-SUB CIRCUIT BOARD	4-39
2.2.8	Capstan Motor	2-9	4.22	SW/DISPLAY, REC SAFETY, JACK AND SHUTTLE/PLAY CIRCUIT BOARDS [HR-S6700MS]	4-41
2.2.9	Pole Base Assembly (supply or take-up side)	2-9	4.23	SW/DISPLAY, REC SAFETY, JACK AND JOG CIRCUIT BOARDS [HR-S7700MS]	4-43
2.2.10	Rotary Encoder	2-10	4.24	P/S CONVERTER CIRCUIT BOARD	4-45
2.2.11	Clutch Unit	2-10	4.25	SECAM CIRCUIT BOARD	4-47
2.2.12	Change Lever Assembly, Direct Gear, Clutch Gear and Coupling Gear	2-10	4.26	REMOTE CONTROL SCHEMATIC DIAGRAM	4-48
2.2.13	Link Lever	2-11	4.27	FDP GRID ASSIGNMENT AND ANODE CONNECTION[HR-S6700MS]	4-49
2.2.14	Cassette Gear, Control Cam and Worm Gear	2-11	4.28	FDP GRID ASSIGNMENT AND ANODE CONNECTION[HR-S7700MS]	4-50
2.2.15	Control Plate	2-11	4.29	VOLTAGE CHARTS	4-51
2.2.16	Loading Arm Gear (supply or take-up side) and Loading Arm Gear Shaft	2-12	4.30	SYSTEM CONTROL BLOCK DIAGRAM	4-57
2.2.17	Take-up Lever, Take-up Head and Control Plate Guide	2-13	4.31	VIDEO BLOCK DIAGRAM	4-59
2.2.18	Capstan Brake Assembly	2-13	4.32	AUDIO BLOCK DIAGRAM	4-63
2.2.19	Sub Brake Assembly (take-up side)	2-13	5. PARTS LIST		
2.2.20	Main Brake Assembly (take-up side), Reel Disk (take-up side) and Main Brake Assembly (supply side)	2-13	5.1	PACKING AND ACCESSORY ASSEMBLY <M1>	5-1
2.2.21	Tension Brake Assembly, Reel Disk (supply side) and Tension Arm Assembly	2-14	5.2	CABINET AND CHASSIS ASSEMBLY <M2>	5-2
2.2.22	Idle Lever, Idle Arm Assembly	2-14	5.3	MECHANISM ASSEMBLY <M4>	5-4
2.2.23	Stator Assembly	2-14	5.4	ELECTRICAL PARTS LIST	5-6
2.2.24	Rotor Assembly	2-14		MAIN BOARD ASSEMBLY <03>	5-6
2.2.25	Upper Drum Assembly	2-15		2D DIGITAL BOARD ASSEMBLY(S6700MS)<05>	5-12
2.3	COMPATIBILITY ADJUSTMENT	2-16		3D DIGITAL/2M BOARD ASSEMBLY(S7700MS) <05>	5-13
2.3.1	Checking/Adjustment of FM Waveform Linearity	2-16		TERMINAL BOARD ASSEMBLY <06>	5-14
2.3.2	Checking/Adjustment of the Height and Tilt of the Audio Control Head	2-17		AUDIO CONTROL HEAD BOARD ASSEMBLY <12>	5-16
2.3.3	Checking/Adjustment of the Audio Control Head Phase (X-Value)	2-17		DEMOM BOARD ASSEMBLY <14>	5-16
2.3.4	Checking/Adjustment of the Standard Tracking Preset	2-18		S-SUB BOARD ASSEMBLY <15>	5-17
2.3.5	Checking/Adjustment of the Tension Pole Position	2-18		DISPLAY BOARD ASSEMBLY(S6700MS) <28>	5-17
				DISPLAY BOARD ASSEMBLY(S7700MS) <28>	5-18
3. ELECTRICAL ADJUSTMENT				REC SAFETY BOARD ASSEMBLY(S6700MS) <32>	5-19
3.1	PRECAUTION	3-1		REC SAFETY BOARD ASSEMBLY(S7700MS) <32>	5-19
3.1.1	Required test equipments	3-1		S JACK BOARD ASSEMBLY(S7700MS) <36>	5-19
3.1.2	Required adjustment tools	3-1		S JACK BOARD ASSEMBLY(S6700MS) <36>	5-19
3.1.3	Color (colour) bar signal,Color (colour) bar pattern	3-1		JOG BOARD ASSEMBLY(S7700MS) <37>	5-19
3.1.4	Switch settings and standard precautions	3-1		AUDIO ERASE BOARD ASSEMBLY <46>	5-19
3.1.5	EVR Adjustment	3-1		LOADING MOTOR BOARD ASSEMBLY <55>	5-19
3.2	SERVO CIRCUIT	3-2		SHUTTLE/PLAY BOARD ASSEMBLY(S6700MS) <85>	5-19
3.2.1	Switching point	3-2		P/S CONVERTER BOARD ASSEMBLY <87>	5-20
3.2.2	Slow tracking preset	3-2		SECAM BOARD ASSEMBLY <88>	5-22
3.3	VIDEO CIRCUIT	3-2			
3.3.1	D/A level	3-2			

The following table lists the differing points between Models (HR-S6700MS and HR-S7700MS) in this series.

	HR-S6700MS	HR-S7700MS
JOG/SHUTTLE DIAL	SHUTTLE PLAY	JOG/SHUTTLE
FLYING ERASE HEAD	NOT USED	USED
INSERT EDIT	NOT USED	USED
DIGITAL 3R	NOT USED	USED
TBC/3D-MEMORY	NOT USED	USED/2M
AUDIO DUBBING	NOT USED	USED
HiFi LEVEL METER	NOT USED	USED
RE-TAKE (CM PAUSE)	NOT USED	USED
R.PAUSE	NOT USED	USED

Important Safety Precautions

Prior to shipment from the factory, JVC products are strictly inspected to conform with the recognized product safety and electrical codes of the countries in which they are to be sold. However, in order to maintain such compliance, it is equally important to implement the following precautions when a set is being serviced.

● Precautions during Servicing

1. Locations requiring special caution are denoted by labels and inscriptions on the cabinet, chassis and certain parts of the product. When performing service, be sure to read and comply with these and other cautionary notices appearing in the operation and service manuals.

2. Parts identified by the \triangle symbol and shaded () parts are critical for safety.

Replace only with specified part numbers.

Note: Parts in this category also include those specified to comply with X-ray emission standards for products using cathode ray tubes and those specified for compliance with various regulations regarding spurious radiation emission.

3. Fuse replacement caution notice.
Caution for continued protection against fire hazard.
Replace only with same type and rated fuse(s) as specified.

4. Use specified internal wiring. Note especially:

- 1) Wires covered with PVC tubing
- 2) Double insulated wires
- 3) High voltage leads

5. Use specified insulating materials for hazardous live parts. Note especially:

- | | | |
|--------------------|--------------------------------------|------------|
| 1) Insulation Tape | 3) Spacers | 5) Barrier |
| 2) PVC tubing | 4) Insulation sheets for transistors | |

6. When replacing AC primary side components (transformers, power cords, noise blocking capacitors, etc.) wrap ends of wires securely about the terminals before soldering.

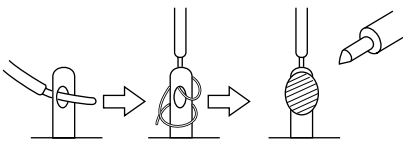


Fig.1

7. Observe that wires do not contact heat producing parts (heatsinks, oxide metal film resistors, fusible resistors, etc.)

8. Check that replaced wires do not contact sharp edged or pointed parts.

9. When a power cord has been replaced, check that 10-15 kg of force in any direction will not loosen it.

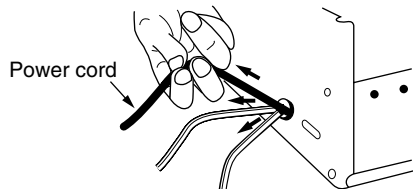


Fig.2

10. Also check areas surrounding repaired locations.

11. Products using cathode ray tubes (CRTs)
In regard to such products, the cathode ray tubes themselves, the high voltage circuits, and related circuits are specified for compliance with recognized codes pertaining to X-ray emission. Consequently, when servicing these products, replace the cathode ray tubes and other parts with only the specified parts. Under no circumstances attempt to modify these circuits. Unauthorized modification can increase the high voltage value and cause X-ray emission from the cathode ray tube.

12. Crimp type wire connector

In such cases as when replacing the power transformer in sets where the connections between the power cord and power transformer primary lead wires are performed using crimp type connectors, if replacing the connectors is unavoidable, in order to prevent safety hazards, perform carefully and precisely according to the following steps.

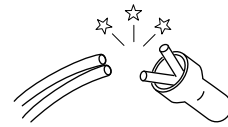
1) Connector part number : E03830-001

2) Required tool : Connector crimping tool of the proper type which will not damage insulated parts.

3) Replacement procedure

(1) Remove the old connector by cutting the wires at a point close to the connector.

Important : Do not reuse a connector (discard it).



cut close to connector

Fig.3

(2) Strip about 15 mm of the insulation from the ends of the wires. If the wires are stranded, twist the strands to avoid frayed conductors.

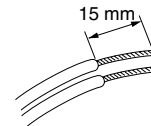


Fig.4

(3) Align the lengths of the wires to be connected. Insert the wires fully into the connector.

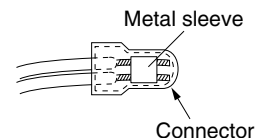


Fig.5

(4) As shown in Fig.6, use the crimping tool to crimp the metal sleeve at the center position. Be sure to crimp fully to the complete closure of the tool.

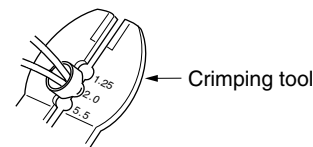


Fig.6

(5) Check the four points noted in Fig.7.

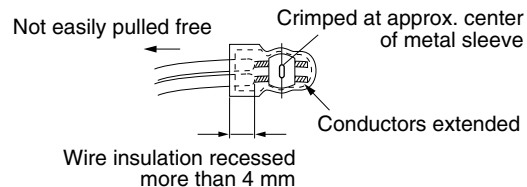


Fig.7

● Safety Check after Servicing

Examine the area surrounding the repaired location for damage or deterioration. Observe that screws, parts and wires have been returned to original positions. Afterwards, perform the following tests and confirm the specified values in order to verify compliance with safety standards.

1. Insulation resistance test

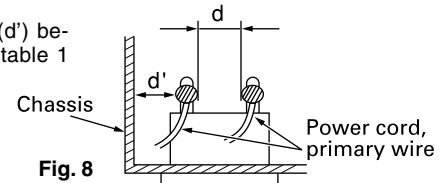
Confirm the specified insulation resistance or greater between power cord plug prongs and externally exposed parts of the set (RF terminals, antenna terminals, video and audio input and output terminals, microphone jacks, earphone jacks, etc.). See table 1 below.

2. Dielectric strength test

Confirm specified dielectric strength or greater between power cord plug prongs and exposed accessible parts of the set (RF terminals, antenna terminals, video and audio input and output terminals, microphone jacks, earphone jacks, etc.). See table 1 below.

3. Clearance distance

When replacing primary circuit components, confirm specified clearance distance (d), (d') between soldered terminals, and between terminals and surrounding metallic parts. See table 1 below.



4. Leakage current test

Confirm specified or lower leakage current between earth ground/power cord plug prongs and externally exposed accessible parts (RF terminals, antenna terminals, video and audio input and output terminals, microphone jacks, earphone jacks, etc.).

Measuring Method : (Power ON)

Insert load Z between earth ground/power cord plug prongs and externally exposed accessible parts. Use an AC voltmeter to measure across both terminals of load Z. See figure 9 and following table 2.

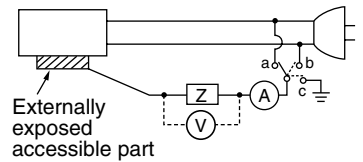


Fig. 9

5. Grounding (Class 1 model only)

Confirm specified or lower grounding impedance between earth pin in AC inlet and externally exposed accessible parts (Video in, Video out, Audio in, Audio out or Fixing screw etc.).

Measuring Method:

Connect milli ohm meter between earth pin in AC inlet and exposed accessible parts. See figure 10 and grounding specifications.

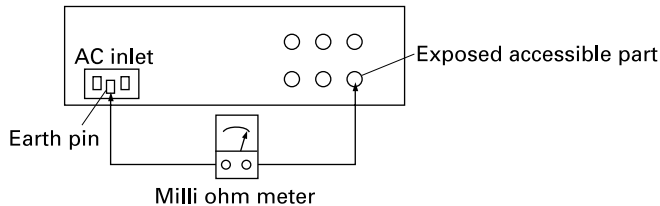


Fig. 10

Grounding Specifications

Region	Grounding Impedance (Z)
USA & Canada	$Z \leq 0.1 \text{ ohm}$
Europe & Australia	$Z \leq 0.5 \text{ ohm}$

AC Line Voltage	Region	Insulation Resistance (R)	Dielectric Strength	Clearance Distance (d), (d')
100 V	Japan	$R \geq 1 \text{ M}\Omega/500 \text{ V DC}$	AC 1 kV 1 minute	$d, d' \geq 3 \text{ mm}$
100 to 240 V			AC 1.5 kV 1 minute	$d, d' \geq 4 \text{ mm}$
110 to 130 V	USA & Canada	$1 \text{ M}\Omega \leq R \leq 12 \text{ M}\Omega/500 \text{ V DC}$	AC 1 kV 1 minute	$d, d' \geq 3.2 \text{ mm}$
110 to 130 V 200 to 240 V	Europe & Australia	$R \geq 10 \text{ M}\Omega/500 \text{ V DC}$	AC 3 kV 1 minute (Class II) AC 1.5 kV 1 minute (Class I)	$d \geq 4 \text{ mm}$ $d' \geq 8 \text{ mm}$ (Power cord) $d' \geq 6 \text{ mm}$ (Primary wire)

Table 1 Specifications for each region

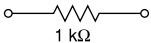
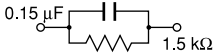
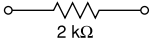
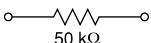
AC Line Voltage	Region	Load Z	Leakage Current (i)	a, b, c
100 V	Japan		$i \leq 1 \text{ mA rms}$	Exposed accessible parts
110 to 130 V	USA & Canada		$i \leq 0.5 \text{ mA rms}$	Exposed accessible parts
110 to 130 V 220 to 240 V	Europe & Australia		$i \leq 0.7 \text{ mA peak}$ $i \leq 2 \text{ mA dc}$	Antenna earth terminals
			$i \leq 0.7 \text{ mA peak}$ $i \leq 2 \text{ mA dc}$	Other terminals

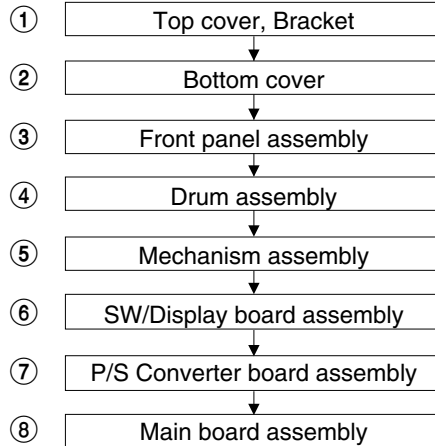
Table 2 Leakage current specifications for each region

Note: These tables are unofficial and for reference only. Be sure to confirm the precise values for your particular country and locality.

SECTION 1 DISASSEMBLY

1.1 DISASSEMBLY FLOW CHART

This flowchart lists the disassembling steps for the cabinet parts and P.C. boards in order to gain access to item(s) to be serviced. When reassembling, perform the step(s) in reverse order. Bend, route and dress the flat cables as they were originally laid.



1.2 HOW TO READ THE DISASSEMBLY AND ASSEMBLY

<Example>

Step/ Loc.No.	Part Name	Fig. No.	Point	Note
①	Top cover, Bracket	D1	4(S1a),(S1b),3(L1a), 2(SD1a),(P1a), CN1(WR1a), 2(S1c)	<Note 1>

↑ (1) ↑ (2) ↑ (3) ↑ (4) ↑ (5)

- (1) Order of steps in Procedure
When reassembling, perform the step(s) in the reverse order. These numbers are also used as the identification (location) No. of parts Figures.
- (2) Part name to be removed or installed.
- (3) Fig. No. showing procedure or part location.
- (4) Identification of part to be removed, unhooked, unlocked, released, unplugged, unclamped or unsoldered.
P= Spring, W= Washer, S= Screw, L= Locking tab, SD= Solder, CN**(WR**)= Remove the wire (WR**) from the connector (CN**).

Note:

- The bracketed () WR of the connector symbol are assigned nos. in priority order and do not correspond to those on the spare parts list.

- (5) Adjustment information for installation

1.3 DISASSEMBLY/ASSEMBLY METHOD

Step/ Loc.No.	Part Name	Fig. No.	Point	Note
①	Top cover, Bracket	D1	4(S1a), (S1b) ----- 2(S1c)	
②	Bottom cover	D2	4(L2a),3(L2b),(S2a), ----- 2(S2b) Earth plate	<Note 2>
③	Front panel assembly	D3	7(L3),CN901(WR3a), CN7002(WR3b) [HR-S6700MS] CN3012(WR3b) [HR-S7700MS] ----- 2(S3),Jack board assy	<Note 3a> <Note 3b>
④	Drum assembly (Inertia plate) (Roller arm assy)	D4	3(S4),CON1(WR4a), ----- CN1(WR4b) ----- 4(L4a) ----- (P4), (L4b)	<Note 3a>
⑤	Mechanism assembly	D5	2(S5a),(S5b),(S5c), ----- 2(L5), CN1(WR5)	<Note 3a> <Note 5a> <Note 5b>
⑥	SW/Display board assembly	D6	CN7001(WR6a), CN7191(WR6b), (L6a), REC safety board assy, 2(L6b), 5(L6c)	<Note 3a> <Note 6>
⑦	P/S Converter board assembly	D7	2(S7), CN3501(WR7a), CN3502(WR7b)	<Note 3a>
⑧	Main board assembly	D8	2(S8), (L8)	

<Note 2>

- When attaching the Bottom cover, make sure that the Earth plate of the Bottom cover is passed through the hole of the Bottom chassis and then touches the GND (Ground) on the Main board assembly.

<Note 3a>

- Be careful not to damage the connector and wire etc. during connection and disconnection.
When connecting the wire to the connector, be careful with the wire direction.

<Note 3b>

- When reattaching the Front panel assembly, make sure that the door opener a of the Cassette holder assembly is lowered in position prior to the reinstallation.

<Note 5a>

- When it is required to remove the screws (S5a) retaining the Mechanism assembly, please refer to the "Procedures for Lowering the Cassette holder assembly"(See on pages 1-2).
- When removing the Mechanism assembly only, unhook the two spacers connecting it with the Main board assembly with pliers from the back side of the Main board assembly first, and then remove the Mechanism assembly.
- When reattaching the Mechanism assembly to the Main board assembly, take care not to damage the sensors on the Main board assembly (D3001: LED, Q3002: Start sensor, Q3003: End sensor, S3002 : S cassette switch).

<Note 5b>

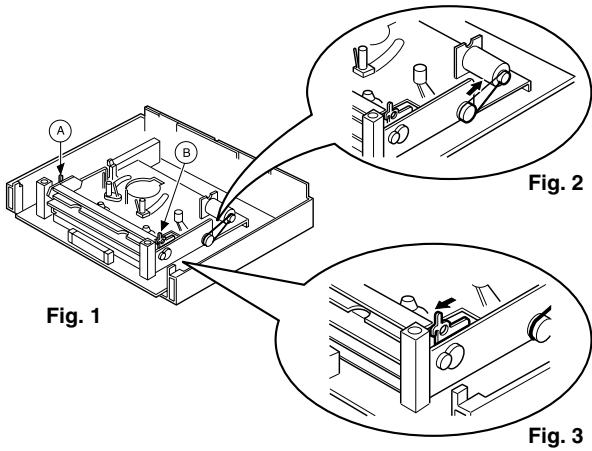
- The wire (WR5) has excess length that may be loose, as it is quite long. After inserting the wire and connectors, the loose portion of the wire should be taken up and accommodated between the A/C head base and the main deck.

<Note 6>

- The REC safety board assembly is attached to the SW/Display board assembly. It is therefore necessary to remove the REC safety board assembly before removing the SW/Display board assembly.

Procedures for Lowering the Cassette holder assembly

As the mechanism of this unit is integrated with the Housing assembly, the holder must be lowered and the two screws unscrewed when removing the Mechanism assembly.



Turn the loading motor pulley in the direction as indicated by Fig.2. As both (A) and (B) levers are lodged twice, push the levers in the direction as indicated by Fig.3 to release them. When pushing the levers, do it in the order of (A), (B), (B), (A). When the holder has been lowered, turn the pulley until the cassette holder is securely in place without allowing any up/down movement.

Procedures for Lowering the Cassette holder assembly

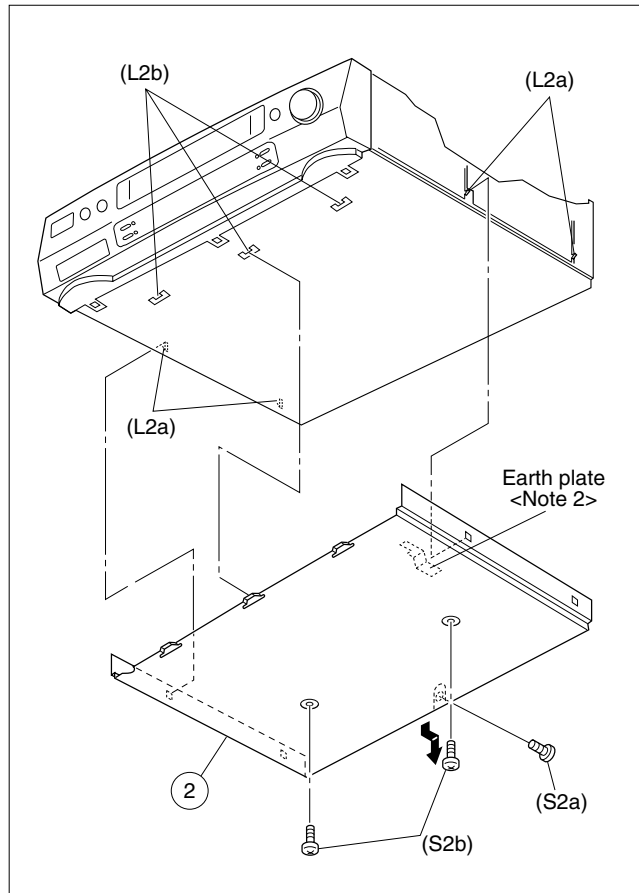


Fig. D2

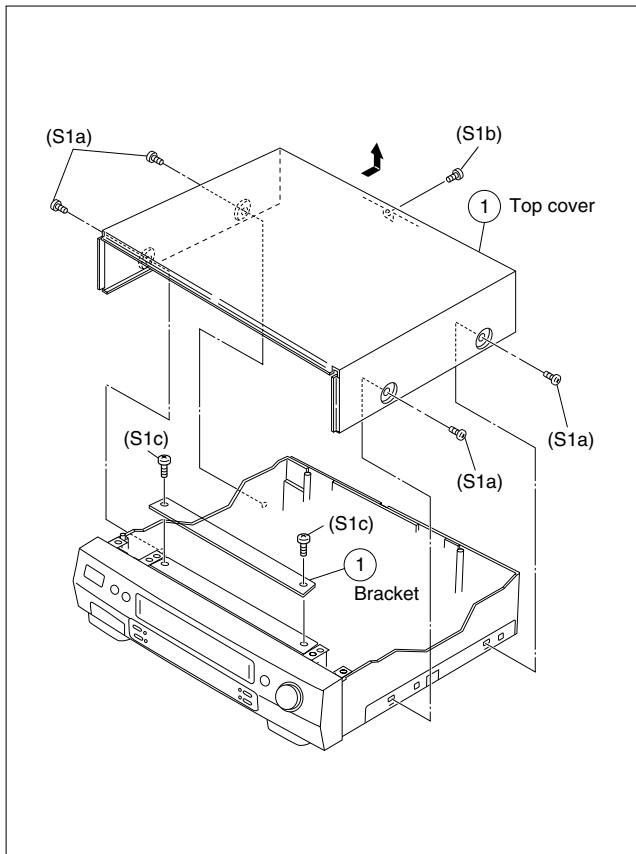


Fig. D1

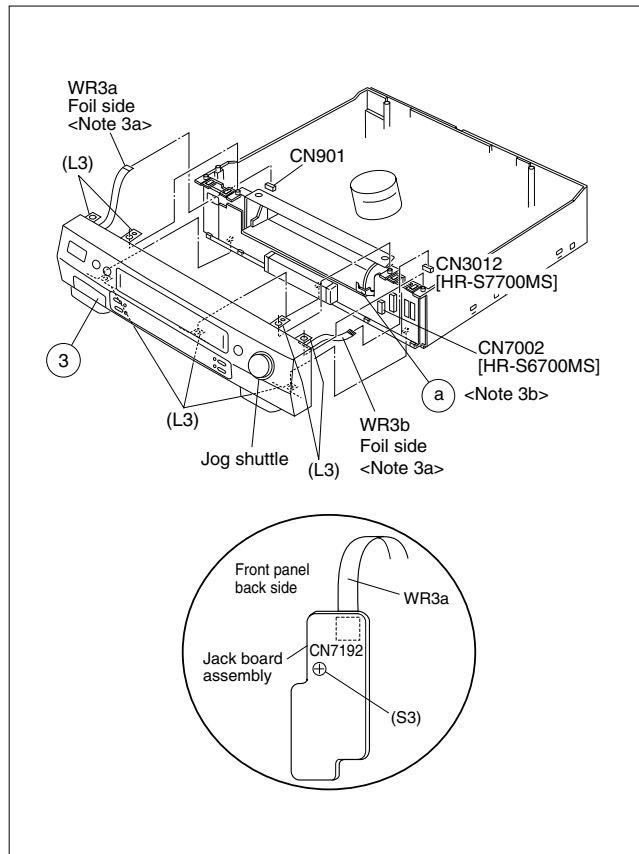


Fig. D3

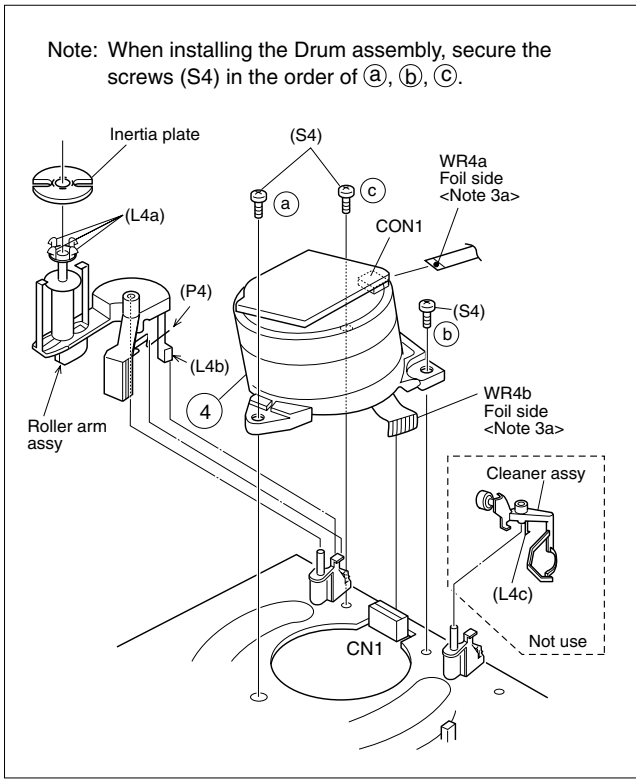


Fig. D4

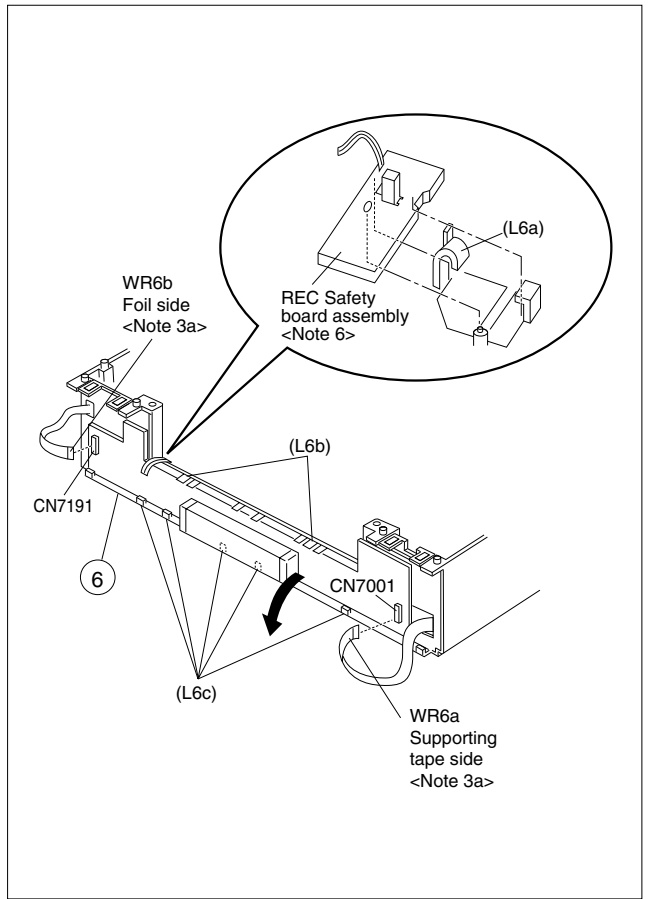


Fig. D6

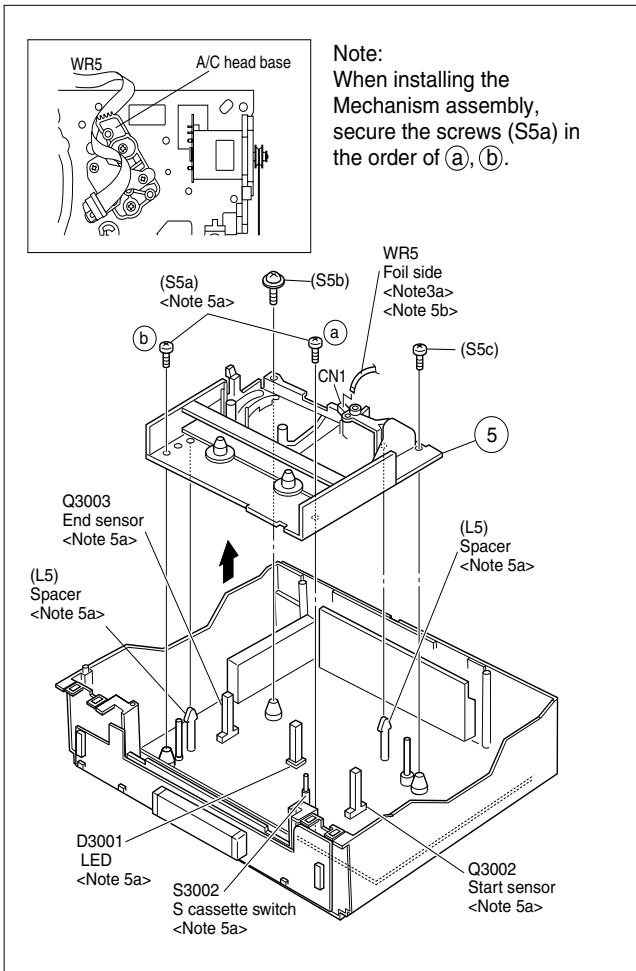


Fig. D5

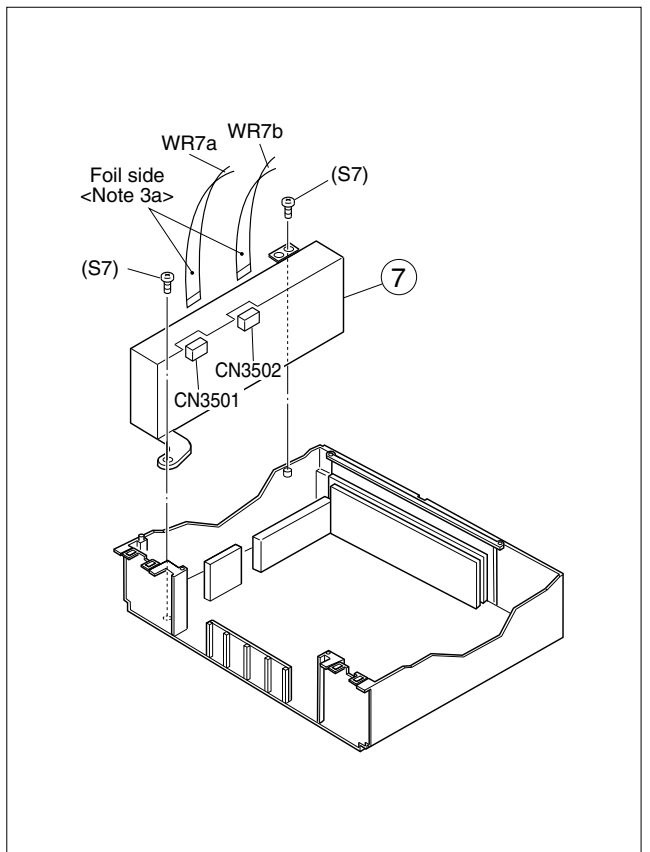


Fig. D7

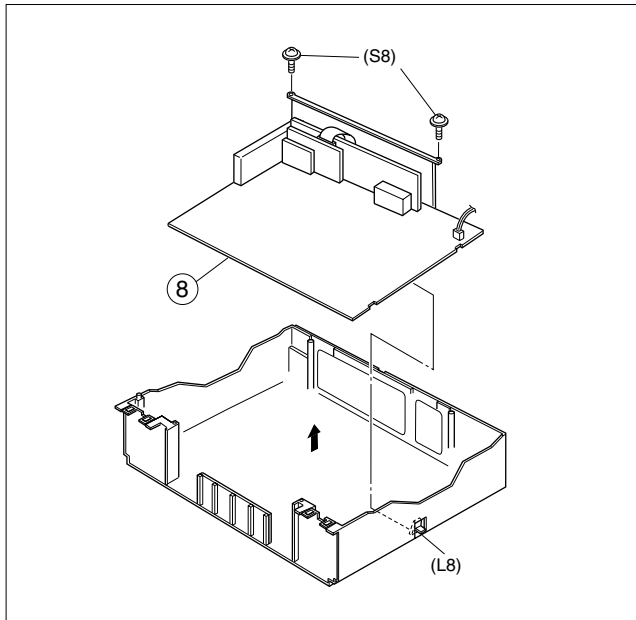


Fig. D8

1.4 SERVICE POSITION

In order to facilitate diagnosis and the repair of the Mechanism assembly, this unit is constructed so as to allow the Mechanism and Main board assemblies to be removed together from the Bottom chassis assembly.

1.4.1 How to take out the Mechanism and Main board assemblies

- (1) Remove the Top cover, Bracket, Front panel assembly and Jack board assembly. (Refer to 1.3 DISASSEMBLY/ASSEMBLY METHOD.)
- (2) Lower the cassette holder, and make the preparations required in order to remove the screws from the Mechanism assembly. (Refer to the "Procedures for Lowering the Cassette holder assembly" on pages 1-2 of 1.3 DISASSEMBLY/ASSEMBLY METHOD.)
- (3) Take out 2 screws (A), 1 screw (B) and 1 screw (C) as shown in Fig. 1-4-1.
- (4) Remove the flat wires from CN3011 and CN902 on the Main board assembly.

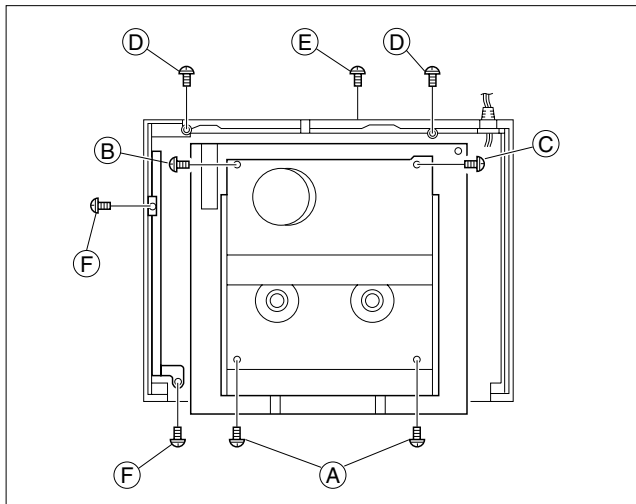


Fig. 1-4-1

- (5) Take out 2 screws (D) and 1 screw (E) as shown in Fig. 1-4-1.
- (6) Take out 2 screws (F) as shown in Fig. 1-4-1. Then remove the P/S Converter board assembly. (Refer to 1.3 DISASSEMBLY/ASSEMBLY METHOD.)
- (7) Remove the hook (G) while holding the edge of the Main board assembly, and remove the Main board and Mechanism assemblies together. At this stage be careful of the power cord and prongs of the jacks on the back side. (Refer to Fig. 1-4-2.)
- (8) Remove the SW/Display board assembly and REC safety board assembly. (Refer to page 1-3 of 1.3 DISASSEMBLY/ASSEMBLY METHOD. Take care not to pull the flat wires (Fig. D7) from CN7001 and CN7191.)

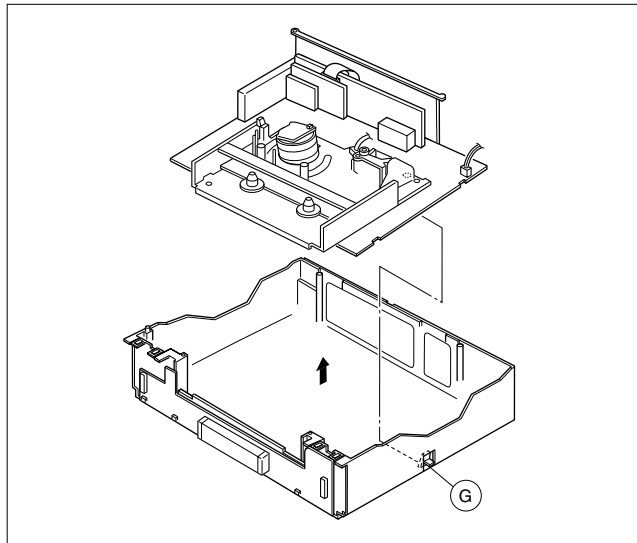


Fig. 1-4-2

- (9) Place the SW/Display board assembly, REC safety board assembly, Jack board assembly and P/S Converter board assembly on the front side and left side of the Mechanism and Main board assemblies which was removed at the step (7), then connect the flat wires into CN3011, CN901 and CN902 of the Main board assembly, CN3501 and CN3502 of the P/S Converter board assembly. (Refer to Fig. 1-4-3.)

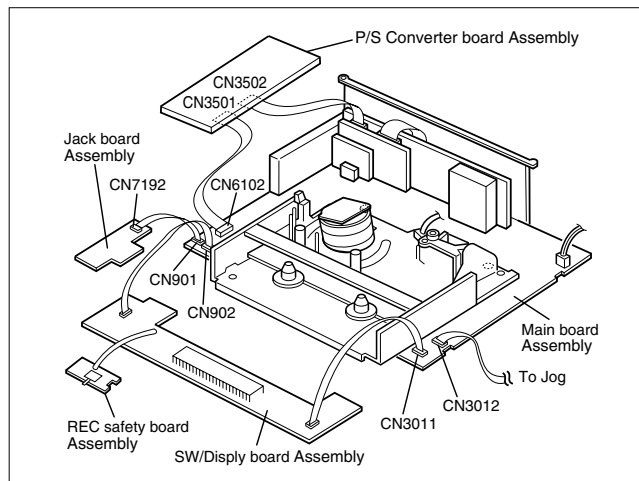


Fig. 1-4-3

- (10) Connect the power cord to the wall socket, and lift the cassette holder. (Before turning on the power make sure that there is nothing which may produce a short circuit, such as faulty soldering.)

Note:

- When carrying out diagnosis and repair of the Main board assembly in the service position, be sure to ground both the Main board and the Mechanism assemblies.

If they are improperly grounded, there may be noise on the playback picture or the FDP counter display may move even when the mechanism is kept in an inoperative status.

1.4.2 Precautions for cassette loading in the "SERVICE POSITION"

The REC safety board assembly detects cassette loading as well as cassette tabs. Therefore, after the assembly has been removed in the "SERVICE POSITION", it is required to set the switch manually on the REC safety board assembly when a cassette is loaded.

1.4.3 Cassette loading and ejection methods in the "SERVICE POSITION"(See Fig. 1-4-3).

- (1) Insert a cassette halfway in the Cassette holder assembly.
- (2) Set the switch on the REC safety board assembly to ON (by pressing the switch).
- (3) As soon as the cassette starts to be loaded, set the switch on the REC safety board assembly to OFF (by releasing the switch).
- (4) Now the desired operation (recording, playback, fast forward, rewind, etc.) is possible in this status (the status shown in Fig.1-4-3).

Notes:

- When performing diagnostics of the tape playback or the recording condition in the "SERVICE POSITION", enter the desired mode before turning the set upside down, and do not change the mode when performing diagnostics while the set is placed upside down. If you want to switch the mode, turn the set to the normal position (the status shown in Fig.1-4-3).

- In the "SERVICE POSITION", the cassette tabs cannot be detected and recording becomes possible even with a cassette with broken tabs such as the alignment tape. Be very careful not to erase important tapes.

- (5) The switch on the REC safety board assembly does not have to be operated when ejecting a tape. But be sure to turn the set to the normal position before ejecting the tape.

1.5 MECHANISM SERVICE MODE

This model has a unique function to enter the mechanism into every operation mode without loading of any cassette tape. This function is called the "MECHANISM SERVICE MODE".

1.5.1 How to set the "MECHANISM SERVICE MODE"

- (1) Disconnect VCR from AC.
- (2) Connect TPGND and TP7001 (TEST) on the SW/Display board assembly with a jump wire.
- (3) Connect VCR to AC.
- (4) Press the POWER button.
- (5) With lock levers (A)(B) on the left and right of the Cassette holder assembly pulled toward the front, slide the holder in the same direction as the cassette insertion direction. (For the positions of lock levers (A)(B), refer to the "Procedures for Lowering the Cassette holder assembly" on pages 1-2 of 1.3 DISASSEMBLY/ASSEMBLY METHOD.)
- (6) The cassette holder lowers and, when the loading has completed, the mechanism enters the desired mode.

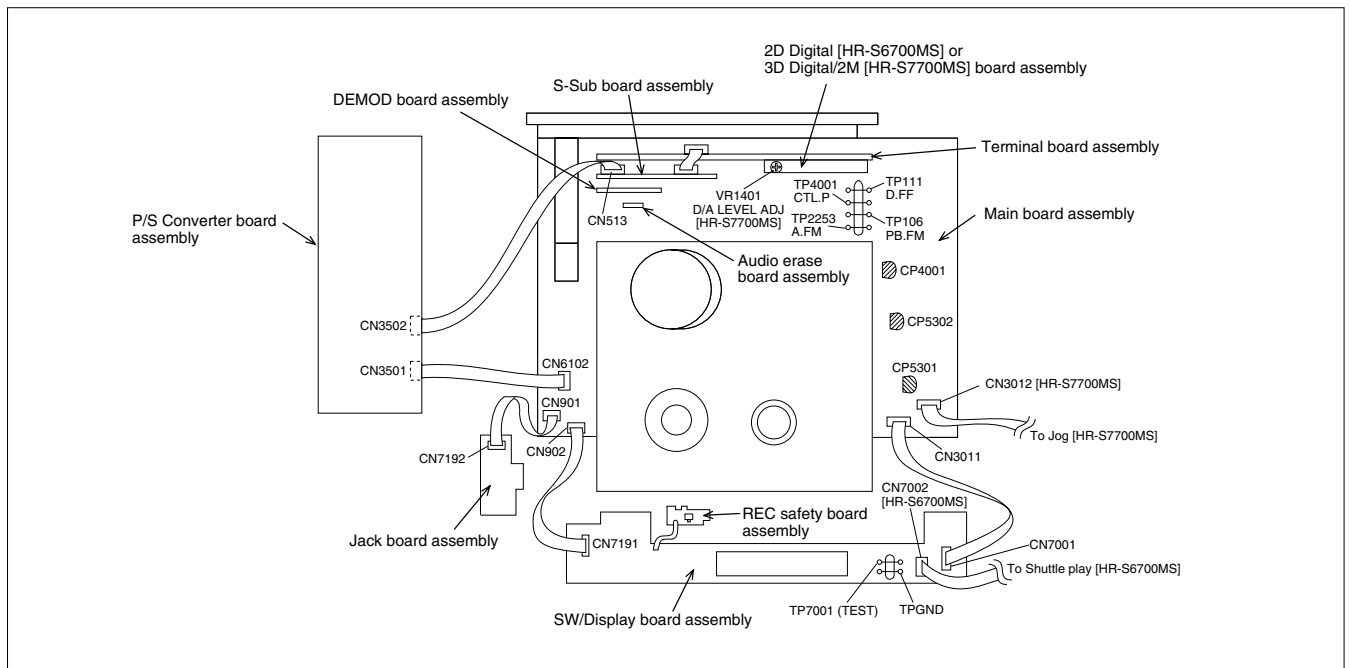
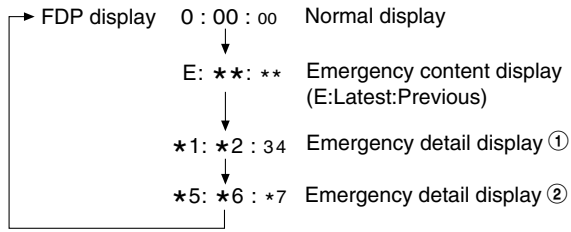


Fig. 1-5-1

1.6 EMERGENCY DISPLAY FUNCTION

This unit has a function for storing the history of the past two emergencies (EMG) and displaying them on each FDP. With the status of the VCR and mechanism at the moment an emergency occurred can also be confirmed.

FDP display switching



Notes:

- The emergency detail display ① ② show the information on the latest emergency. It becomes “-- : -- : --” when there is no latest emergency record.
- When using the Jig RCU, set its custom code to match the custom code of the VCR.

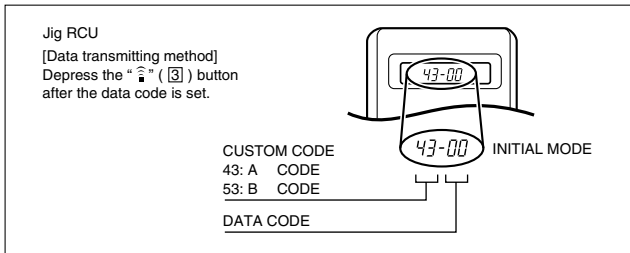
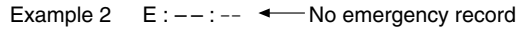
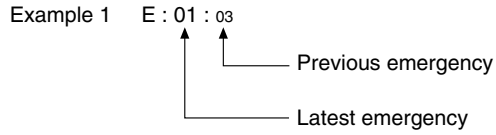


Fig. 1-6-1 Jig RCU [PTU94023B]

1.6.1 Displaying the emergency information

- (1) Transmit the code “59” from the Jig RCU.

The FDP shows the emergency content in the form of “E: * * : * *”.



Note:

- For the emergency content, see “1.6.3 Emergency content description”.

- (2) Transmit the code “59” from the Jig RCU again.

The FDP shows the emergency detail information ① in the form of “* 1 : * 2 : 3 4”.

- * 1 : Deck operation mode at the moment of emergency
- * 2 : Mechanism operation mode at the moment of emergency
- 3- : Mechanism sensor information at the moment of emergency
- 4 : Mechanism mode position at the moment of emergency

Note:

- For the emergency detail information 1, see “1.6.4 Emergency detail information ①”.

- (3) Transmit the code “59” from the Jig RCU once again.

The FDP shows the emergency detail information ② in the form of “* 5 : * 6 : * 7”.

- * 5 : Type of the cassette tape in use ①.
- * 6 : Winding position of the cassette tape in use
- * 7 : Type of the cassette tape in use ② (Winding area)

Note:

- For the emergency detail information ②, see “1.6.5 Emergency detail information ②”.

- (4) Transmit the code “59” from the Jig RCU once again to reset the display.

1.6.2 Clearing the emergency history

- (1) Display the emergency history.
- (2) Transmit the code “36” from the Jig RCU.
- (3) Reset the emergency display.

1.6.3 Emergency content description

Note: *Emergency contents “E08/E09” are for the model with Dynamic Drum (DD).*

FDP	CONTENT	CAUSE
E01: Loading EMG	When the mechanism mode cannot be changed to another mode even when the loading motor has rotated for more than 4 seconds in the loading direction, [E:01] is identified and the power is turned off.	<ol style="list-style-type: none"> ① The mechanism is locked in the middle of mode transition. ② The mechanism is locked at the loading end due to the encoder position reading error during mode transition. ③ Power is not supplied to the loading MDA.
E02: Unloading EMG	When the mechanism mode cannot be changed to another mode even when the loading motor has rotated for more than 4 seconds in the unloading direction, [E:02] is identified and the power is turned off.	<ol style="list-style-type: none"> ① The mechanism is locked in the middle of mode transition. ② The mechanism is locked at the unloading end due to the encoder position reading error during mode transition. ③ Power is not supplied to the loading MDA.
E03: Take Up Reel Pulse EMG	When the take-up reel pulse has not been generated for more than 4 seconds in the capstan rotating mode, [E:03] is identified, the pinch rollers are turned off and stopped, and the power is turned off. However, the reel EMG is not detected in STILL/SLOW modes.	<ol style="list-style-type: none"> ① The take-up reel pulse is not generated in the FWD transport modes (PLAY/FWD SEARCH/FF, etc.) because; <ol style="list-style-type: none"> 1) The idler gear is not meshed with the take-up reel gear; 2) The idler gear is meshed with the take-up reel gear, but incapable of winding due to too large mechanical load (abnormal tension); 3) The take-up reel sensor does not output the FG pulse. ② The supply reel pulse is not generated in the REV transport modes (REV SEARCH/REW, etc.) because; <ol style="list-style-type: none"> 1) The idler gear is not meshed with the supply reel gear. 2) The idler gear is meshed with the supply reel gear, but incapable of winding due to too large a mechanical load (abnormal tension); 3) The supply reel sensor does not output the FG pulse. ③ Power is not supplied to the reel sensors.
E04: Drum FG EMG	When the drum FG pulse has not been input for more than 3 seconds in the drum rotating mode, [E:04] is identified, the pinch rollers are turned off and stopped, and the power is turned off.	<ol style="list-style-type: none"> ① The drum could not start or the drum rotation has stopped due to too large a load on the tape, because; <ol style="list-style-type: none"> 1) The tape tension is abnormally high; 2) The tape is damaged or a foreign object (grease, etc.) adheres to the tape. ② The drum FG pulse did not reach the System controller CPU because; <ol style="list-style-type: none"> 1) The signal circuit is disconnected in the middle; 2) The FG pulse generator (hall device) of the drum is faulty. ③ The drum control voltage (DRUM CTL V) is not supplied to the MDA. ④ Power is not supplied to the drum MDA.
E05: Cassette Eject EMG	When the eject operation does not complete in 3 seconds after the start, [E:05] is identified, the pinch rollers are turned off and stopped, and the power is turned off. When the cassette insertion operation does not complete in 3 seconds after the start, the cassette is ejected. In addition, when the operation does not complete within 3 seconds after the start, [E:05] is also identified and the power is turned off immediately.	<ol style="list-style-type: none"> ① The cassette cannot be ejected due to a failure in the drive mechanism of the housing. ② When the housing load increases during ejection, the loading motor is stopped because of lack of headroom in its drive torque. <ul style="list-style-type: none"> Housing load increasing factors: Temperature environment (low temperature, etc.), mechanism wear or failure. ③ The sensor/switch for detecting the end of ejection are not functioning normally. ④ The loading motor drive voltage is lower than specified or power is not supplied to the motor (MDA). ⑤ When the user attempted to eject a cassette, a foreign object (or perhaps the user's hand) was caught in the opening of the housing.
E06: Capstan FG EMG	When the capstan FG pulse has not been generated for more than 1 second in the capstan rotating mode, [E:06] is identified, the pinch rollers are turned off and stopped, and the power is turned off. However, the capstan EMG is not detected in STILL/SLOW/FF/REW modes.	<ol style="list-style-type: none"> ① The capstan could not start or the capstan rotation has stopped due to too large a load on the tape, because; <ol style="list-style-type: none"> 1) The tape tension is abnormally high (mechanical lock); 2) The tape is damaged or a foreign object (grease, etc.) is adhered to the tape (occurrence of tape entangling, etc.). ② The capstan FG pulse did not reach the System controller CPU because; <ol style="list-style-type: none"> 1) The signal circuit is disconnected in the middle; 2) The FG pulse generator (MR device) of the capstans is faulty. ③ The capstan control voltage (CAPSTAN CTL V) is not supplied to the MDA. ④ Power is not supplied to the capstan MDA.
E07: SW Power Short-Circuit EMG	When short-circuiting of the SW power supply with GND has lasted for 0.5 second or more, [E:07] is identified, all the motors are stopped and the power is turned off.	<ol style="list-style-type: none"> ① The SW 5 V power supply circuit is shorted with GND. ② The SW 12 V power supply circuit is shorted with GND.
E08: DD Initialized (Absolute Position Sensor) EMG	When DD tilting does not complete in 4 seconds, [E:08] is identified, the tilt motor is stopped and the power is turned off.	<ol style="list-style-type: none"> ① The absolute value sensor is defective. (The soldered parts have separated.) ② The pull-up resistor at the absolute sensor output is defective. (The soldered parts have separated.) ③ Contact failure or soldering failure of the pins of the connector (board-to-board) to the absolute value sensor. ④ The absolute value sensor data is not sent to the System Controller CPU.
E09: DD FG EMG	When the DD FG pulse is not generated within 2.5 seconds, [E:09] is identified, the tilt motor is stopped and the power is turned off.	<ol style="list-style-type: none"> ① The FG sensor is defective. (The soldered parts have separated.) ② The pull-up resistor at the FG sensor output is defective. (The soldered parts have separated.) ③ Contact failure or soldering failure of the pins of the connector (board-to-board) to the FG sensor. ④ The power to the sensor is not supplied. (Connection failure/soldering failure) ⑤ The FG pulse is not sent to the System Controller CPU. ⑥ The tilt motor is defective. (The soldered parts have separated.) ⑦ The drive power to the tilt motor is not supplied. (Connection failure/soldering failure) ⑧ The tilt motor drive MDA - IC is defective. ⑨ Auto-recovery of the DD tilting cannot take place due to overrun.
E0A: Supply Reel Pulse EMG	When the supply reel pulse has not been generated for more than 10 seconds in the capstan rotating mode, [E:0A] is identified and the cassette is ejected (but the power is not turned off). However, note that the reel EMG is not detected in the SLOW/STILL mode.	<ol style="list-style-type: none"> ① The supply reel pulse is not generated in the FWD transport mode (PLAY/FWD SEARCH/FF, etc.) because; <ol style="list-style-type: none"> 1) PLAY/FWD or SEARCH/FF is started while the tape in the inserted cassette is cut in the middle; 2) A mechanical factor caused tape slack inside and outside the supply reel side of the cassette shell. In this case, the supply reel will not rotate until the tape slack is removed by the FWD transport, so the pulse is not generated until then; 3) The FG pulse output from the supply reel sensor is absent. ② The take-up reel pulse is not generated in the REV transport mode (REV SEARCH/REW, etc.). <ol style="list-style-type: none"> 1) REV SEARCH/REW is started when the tape in the inserted cassette has been cut in the middle; 2) A mechanical factor caused tape slack inside and outside the take-up reel side of the cassette shell. In this case, the supply reel will not rotate until the tape slack is removed by the REV transport, so the pulse will not be generated until that time; 3) The FG pulse output from the take-up reel sensor is absent. ③ The power to a reel sensor is not supplied.
EC1 or EU1: Head clog warning	Presupposing the presence of the control pulse output in the PLAY mode, when the value obtained by mixing the two V.FM output channels (without regard to the A.FM output) has remained below a certain threshold level for more than 10 seconds, [E:C1] or [E:U1] is identified and recorded in the emergency history. During the period in which a head clog is detected, the FDP and OSD repeat the “3-second warning display” and “7-second noise picture display” alternately. EMG code : “E:C1” or “E:U1” / FDP : “U:01” / OSD : “Try cleaning tape.” or “Use cleaning cassette.” The head clog warning is reset when the above-mentioned threshold has been exceeded for more than 2 seconds or the mode is changed to another mode than PLAY.	

Table 1-6-1

1.6.4 Emergency detail information ①

The status (electrical operation mode) of the VCR and the status (mechanism operation mode/sensor information) of the mechanism in the latest emergency can be confirmed based on the figure in EMG detail information ①.

[FDP display]

* 1 : * 2 : 34

- * 1 : Deck operation mode at the moment of emergency
- * 2 : Mechanism operation mode at the moment of emergency
- 3- : Mechanism sensor information at the moment of emergency
- 4 : Mechanism mode position at the moment of emergency

Note:

• **In the Deck operation mode/Mechanism operation mode/Mechanism mode position, the contents of the code that is shown on the FDP differs depending on the parts number of the System Control microprocessor (IC3001) of the VCR.**

For the microprocessor parts number that starts with the two letters "MN", refer to the Table of MN and for parts number with "HD", refer to the Table of HD.

* 1 : Deck Operation Mode

[Table of MN]

Display	Deck Operation Mode
00	Mechanism being initialized
01	STOP with pinch roller pressure off (or tape present with P.OFF)
02	STOP with pinch roller pressure on
03	POWER OFF as a result of EMG
04	PLAY
0C	REC
10	Cassette ejected
20	FF
21	Tape fully loaded, START sensor ON, short FF
22	Cassette identification FWD SEARCH before transition to FF (SP x7-speed)
24	FWD SEARCH (variable speed) including x2-speed
2C	INSERT REC
40	REW
42	Cassette identification REV SEARCH before transition to REW (SP x7-speed)
44	REV SEARCH (variable speed)
4C	AUDIO DUB
6C	INSERT REC (VIDEO + AUDIO)
84	FWD STILL/SLOW
85	REV STILL/SLOW
8C	REC PAUSE
8D	Back spacing
8E	Forward spacing (FWD transport mode with BEST function)
AC	INSERT REC PAUSE
AD	INSERT REC Back spacing
CC	AUDIO DUB PAUSE
CD	AUDIO DUB Back spacing
EC	INSERT REC (VIDEO + AUDIO) PAUSE
ED	INSERT REC (VIDEO + AUDIO) Back spacing

[Table of HD]

Display	Deck Operation Mode
00	STOP with pinch roller pressure off (or tape present with P.OFF)
01	STOP with pinch roller pressure on
04	PLAY
0E	REC
11	Cassette ejected
22	FF
26	FWD SEARCH (variable speed) including x2-speed
2E	INSERT REC
43	REW
47	REV SEARCH (variable speed)
4C	AUDIO DUB
6E	INSERT REC (VIDEO+AUDIO)
84	FWD STILL/SLOW
85	REV STILL/SLOW
8F	REC PAUSE
AF	INSERT REC PAUSE
CD	AUDIO DUB PAUSE
EF	INSERT REC (VIDEO+AUDIO) PAUSE

* 2 : Mechanism Operation Mode

[Table of MN]

Display	Mechanism Operation Mode
00	Command standby (Status without executing command)
02	POWER OFF by EMG occurrence
04	Moving to the adjacent position in the LOAD direction
06	Moving to the adjacent position in the UNLOAD direction
08	Cassette ejection being executed
0A	Cassette insertion being executed
0C	Tape being loaded
0E	Tape being unloaded
10	Mode transition to STOP with pinch roller compression ON
12	Mode transition to STOP with pinch roller compression OFF
14	Mode transition to STOP with pinch roller compression OFF as a result of POWER OFF
16	Mode transition to STOP with pinch roller compression ON as a result of POWER ON
18	Mode transition to PLAY
1A	Mode transition to FWD SEARCH
1C	Mode transition to REC
1E	Mode transition to FWD STILL/SLOW
20	Mode transition to REV STILL/SLOW
22	Mode transition to REV SEARCH
24	Mode transition from FF/REW to STOP
26	Mode transition to FF
28	Mode transition to REW
2A	4 sec. of REV as a result of END sensor going ON during loading
2C	Short FF/REV as a result of tape sensor going ON during unloading
2E	Mechanism position being corrected due to overrun
80	Mechanism in initial position (Dummy command)

[Table of HD]

Display	Mechanism Operation Mode
00	STOP with pinch roller pressure off
01	STOP with pinch roller pressure on
02	U/L STOP (or tape being loaded)
04	PLAY
05	PLAY (x1-speed playback using JOG)
0E	REC
11	Cassette ejected
22	FF
26	FWD SEARCH (variable speed) including x2-speed
2E	INSERT REC
43	REW
47	REV SEARCH
4C	AUDIO DUB
6E	INSERT REC (VIDEO + AUDIO)
84	FWD STILL/SLOW
85	REV STILL/SLOW
8F	REC PAUSE
AF	INSERT REC PAUSE
C7	REV SEARCH (x1-speed reverse playback using JOG)
CD	AUDIO DUB PAUSE
EF	INSERT REC (VIDEO + AUDIO) PAUSE
F0	Mechanism being initialized
F1	POWER OFF as a result of EMG
F2	Cassette being inserted
F3	Cassette being ejected
F4	Transition from STOP with pinch roller pressure on to STOP with pinch roller pressure off
F5	Transition from STOP with pinch roller pressure on to PLAY
F6	Transition from STOP with pinch roller pressure on to REC
F7	Cassette type detection SEARCH before FF/REW is being executed
F8	Tape being unloaded
F9	Transition from STOP with pinch roller pressure off to STOP with pinch roller pressure on
FA	Transition from STOP with pinch roller pressure off to FF/REW
FB	Transition from STOP with pinch roller pressure off to REC.P (T.REC, etc.)
FC	Transition from STOP with pinch roller pressure off to cassette type detection SEARCH
FD	Short REV being executed after END sensor on during unloading
FE	Tension loosening being executed after tape loading (STOP with pinch roller pressure on)

3 - : Mechanism Sensor Information

[Common table of MN and HD]

Display	Mechanism Sensor Information			
	S-VHS SW	REC SAFETY SW	START SENSOR	END SENSOR
0-	VHS	Tab broken	ON	ON
1-	VHS	Tab broken	ON	OFF
2-	VHS	Tab broken	OFF	ON
3-	VHS	Tab broken	OFF	OFF
4-	VHS	Tab present	ON	ON
5-	VHS	Tab present	ON	OFF
6-	VHS	Tab present	OFF	ON
7-	VHS	Tab present	OFF	OFF
8-	S-VHS	Tab broken	ON	ON
9-	S-VHS	Tab broken	ON	OFF
A-	S-VHS	Tab broken	OFF	ON
B-	S-VHS	Tab broken	OFF	OFF
C-	S-VHS	Tab present	ON	ON
D-	S-VHS	Tab present	ON	OFF
E-	S-VHS	Tab present	OFF	ON
F-	S-VHS	Tab present	OFF	OFF

-4 : Mechanism Mode Position

[Table of MN]

Display	Mechanism Mode Position
-0	Initial value
-1	EJECT position
-2	Housing operating
-3	U/L STOP position
-4	Tape being loaded/unloaded (When the pole base is located on the front side of the position just beside the drum)
-5	Tape being loaded/unloaded (When the pole base is located on the rear side of the position just beside the drum)
-6	Pole base compressed position
-7	FF/REW position
-8	Between FF/REW and STOP with pinch roller compression ON
-9	STOP with pinch roller compression OFF
-A	Between STOP with pinch roller compression OFF and REV
-B	REV (REV STILL/SLOW) position
-C	Between REV and FWD
-D	FWD (FWD STILL/SLOW) position
-E	Between FWD and PLAY
-F	PLAY position

[Table of HD]

Display	Mechanism Mode Position
-0	EJECT position
-1	U/L STOP position
-2	Tape being loaded/unloaded (When the pole base is located on the rear side of the position just beside the drum)
-3	FF/REW position
-4	STOP with pinch roller pressure off
-5	REV (REV STILL/SLOW) position
-6	FWD (FWD STILL/SLOW) position, PLAY position
-7	Intermediate position during transition between other mechanism modes

Note:

- As the display is always “-7” at any intermediate position between mechanism modes, the position of transitory EMG may sometimes not be locatable.

1.6.5 Emergency detail information ②

The type of the cassette tape and the cassette tape winding position can be confirmed based on the figure in EMG detail information ②.

[FDP display]

★5 : ★6 : ★7

★5 : Type of the cassette tape in use ①

★6 : Winding position of the cassette tape in use

★7 : Type of the cassette tape in use ② (Winding area)

Note:

- EMG detail information ② is the reference information stored using the remaining tape detection function of the cassette tape. As a result, it may not identify cassette correctly when a special cassette tape is used or when the tape has variable thickness.

★5 : Cassette tape type ①

Display	Cassette Tape Type ①
00	Cassette type not identified
16	Large reel/small reel (T-0 to T-15/T-130 to T-210) not classified
82	Small reel, thick tape (T-120) identified/thin tape (T-140) identified
84	Large reel (T-0 to T-60) identified
92	Small reel, thick tape (T-130) identified/thin tape (T-160 to T-210) identified
93	Small reel, thick tape/C cassette (T-0 to T-100/C cassette) not classified
C3	Small reel, thick tape/C cassette (T-0 to T-100/C cassette) being classified
D3	Small reel, thick tape/C cassette (T-0 to T-100/C cassette) being classified
E1	C cassette, thick tape (TC-10 to TC-20) identified
E2	Small reel, thick tape (T-0 to T-100) identified
E9	C cassette, thin tape (TC-30 to TC-40) identified
F1	C cassette, thick tape/thin tape (TC-10 to TC-40) not classified

Notes:

- Cassette tape type ① is identified a few times during mode transition and the identification count is variable depending on the cassette tape type. If an EMG occurs in the middle of identification, the cassette tape type may not be able to be identified.
- If other value than those listed in the above table is displayed, the cassette tape type is not identified.

★6 : Cassette tape winding position

The cassette tape winding position at the moment of EMG is displayed by dividing the entire tape (from the beginning to the end) in 22 sections using a hex number from “00” to “15”.

“00” : End of winding

“15” : Beginning of winding

“FF” : Tape position not identified

★7 : Cassette tape type ② (Winding area)

Display	Cassette Tape Type ②
00	Cassette type not identified
07	Small reel, thick tape T-5
08 - 0E	C cassette, thick tape TC-10
09 - 15	C cassette, thick tape TC-20P
0A - 0B	Small reel, thick tape T-20
0A - 16	C cassette, thin tape TC-30
0A - 16	C cassette, thin tape TC-40
0D - 0F	Small reel, thick tape T-40
11 - 14	Small reel, thick tape T-60
15 - 18	Small reel, thick tape T-80/DF-160
17 - 1A	Small reel, thick tape T-80/DF-180
19 - 1D	Small reel, thick tape T-100
1D - 21	Small reel, thick tape T-120/DF-240
1E - 1F	Small reel, thin tape T-140
1F - 23	Small reel, thick tape T-130
21 - 23	Small reel, thin tape T-160
21 - 23	Small reel, thin tape T-168
22 - 24	Small reel, thick tape DF-300
22 - 24	Small reel, thin tape T-180/DF-380
22 - 24	Small reel, thin tape T-210/DF-420
22 - 23	Large reel T-5
23 - 24	Large reel T-10
25 - 26	Large reel T-20
27 - 29	Large reel T-30
29 - 2B	Large reel T-40
2D - 2F	Large reel T-60

Note:

- The values of cassette tape type ② in the above table are typical values with representative cassette tapes.

1.7 SYSCON CIRCUIT

1.7.1 Syscon CPU pin function (IC3001) 1/2

PIN NO.	LABEL	IN/OUT	FUNCTION
1	CTL(+)	IN/OUT	CTL(+) SIGNAL
2	SVSS	-	GND
3	CTL(-)	IN/OUT	CTL(-) SIGNAL
4	CTLBIAS	-	CTL BIAS VOLTAGE
5	CTLFB	IN	CTL PULSE FEEDBACK
6	CTLAMPOUT	OUT	CTL PULSE OUTPUT
7	CTLSMTIN	IN	CTL PULSE INPUT
8	CFG	IN	CAPSTAN FG PULSE INPUT
9	SVCC	-	SYSTEM POWER
10	AVCC	-	SYSTEM POWER FOR ANALOG CIRCUIT
11	NORM/MESEC/S	IN	SVHS MODE:H
12	SECAM_DET(H)/KILLER_DET	IN	DETECTION SIGNAL FOR SECAM ON PB MODE (SECAM:H) / NC
13	VIDEO_ENV	IN	AUTO TRACKING DETECT/INPUT THE AVERAGE OF PLAYBACK VIDEO SIGNAL
14	START_SENSOR	IN	START SENSOR
15	END_SENSOR	IN	END SENSOR
16	IND(L)	IN	AUDIO INPUT (LCH) FOR THE FDP AUDIO INDICATOR
17	DD_ABS	-	NC
18	SCR_ID	IN	SCRAMBLE CONTROL INPUT (SCRAMBLE:H)
19	IND(R)	IN	AUDIO INPUT (RCH) FOR THE FDP AUDIO INDICATOR
20	BS_ANT/AFC	IN	TUNING CLOCK
21	LED/RF AGC	IN	NC/CHANGES IN ATS+IC OUTPUT AS CAUSED BY CHANGES IN RECEIVER SENSITIVITY WHEN THE SAME CHANNEL IS RECEIVED MORE THAN ONCE ARE INPUT.
22	A.ENV/ND(L)	IN	AUDIO PB FM ENV.INPUT/NON HiFi MODE:L
23	AVSS	-	GND FOR ANALOG CIRCUIT
24	CTL_GAIN	OUT	CONTROL AMP OUT FREQUENCY RESPONSE SWITCHING
25	LSA	IN	MECHANISM MODE DETECT(A)
26	LSB	IN	MECHANISM MODE DETECT(B)
27	LSC	IN	MECHANISM MODE DETECT(C)
28	CAP_REV(L)	OUT	CAPSTAN MOTOR REVERSE CONTROL (FWD:H/REV:L)
29	RC	IN	REMOTE CONTROL DATA INPUT
30	LOCK(L)/P.SAVE[0.1]	IN	TUNING PLL LOCK DETECT:L / NC
31	P50_IN	IN	CONTROL SIGNAL FOR TV LINK
32	R.PAUSE/COMPU_IN	IN	REMOTE PAUSE CONTROL [HR-S7700MS] / NC
33	RAE_OUT/COMPUOUT	-	NC
34	P50_OUT	OUT	CONTROL SIGNAL FOR TV LINK
35	LMC1	OUT	LOADING MOTOR DRIVE(1)
36	LMC2	OUT	LOADING MOTOR DRIVE(2)
37	LMC3	OUT	LOADING MOTOR DRIVE(3)
38	SB_G(PWM)	OUT	VOLTAGE CONTROL SIGNAL FOR VIDEO FREQUENCY RESPONSE
39	STB/TEST	OUT	STROBE SIGNAL (FOR FDP DRIVER)
40	POWER_DET	IN	DETECTION SIGNAL FOR POWER DOWN OF AC POWER SUPPLY
41	REC_SAFETY	IN	REC SAFETY SWITCH DETECT (SW ON:L)
42	PROTECT	IN	DETECTION SIGNAL FOR SW POWER SUPPLY
43	VSS	-	GND
44	RMO	OUT	REMOTE CONTROL OUTPUT FOR SATELLITE RECEIVER
45	VCC	-	SYSTEM POWER
46	EXP2_DATA	IN/OUT	SERIAL DATA TRANSFER OUTPUT FOR TUNER/REG CONTROL
47	EXP1_DATA	IN/OUT	SERIAL DATA TRANSFER OUTPUT FOR AUDIO/VIDEO CONTROL
48	EXP_CLK	OUT	SERIAL DATA TRANSFER CLOCK FOR AUDIO/VIDEO AND TUNER/REG CONTROL
49	I2C_DATA_A/V	IN/OUT	SERIAL DATA TRANSFER OUTPUT FOR THE VIDEO/AUDIO IC
50	I2C_CLK_A/V	OUT	SERIAL DATA TRANSFER CLOCK FOR THE VIDEO/AUDIO IC
51	S.DATA_TOSYS	IN	SERIAL DATA TRANSFER OUTPUT FROM THE ON-SCREEN IC TO THE FDP DRIVER
52	S.DATA_FRSYS	OUT	SERIAL DATA TRANSFER OUTPUT FROM THE FDP DRIVER TO THE ON-SCREEN IC
53	S.CLK	OUT	SERIAL DATA TRANSMISSION CLOCK FROM THE FDP DRIVER TO THE ON-SCREEN IC
54	SP_FG	IN	DETECTION SIGNAL FOR SUPPLY REEL ROTATION/TAPE REMAIN
55	TU_FG	IN	DETECTION SIGNAL FOR TAKE-UP REEL ROTATION/TAPE REMAIN
56	SECAM(H)/EDS(H)	OUT	COLOUR SYSTEM SECAM:H / NC

Table 1-7-1 SYSCON CPU pin function(1/2)

1.7.2 Syscon CPU pin function (IC3001) 2/2

PIN NO.	LABEL	IN/OUT	FUNCTION
57	TU_CE	OUT	CHIP ENABLE OF THE TUNER UNIT
58	N.REC_ST(H)	OUT	NORMAL AUDIO SOUND RECORDING START
59	DD_FG	-	NC
60	TU_CLK	OUT	CLOCK FOR DATA TRANSFER TO THE TUNER UNIT
61	TU_DATA	OUT	TUNING DATA
62	FWE	-	NC
63	NMI(L)	-	NC
64	X2	-	TIMER CLOCK (32.768KHz)
65	X1	-	TIMER CLOCK (32.768KHz)
66	RES(L)	-	RESET TERMINAL (RESET ON:L)
67	OSC1(IN)	-	MAIN SYSTEM CLOCK(10MHz)
68	VSS	-	GND
69	OSC2(OUT)	-	MAIN SYSTEM CLOCK(10MHz)
70	VCC	-	SYSTEM POWER
71	MODE	-	NC
72	TU_A_MUTE(H)	OUT	TUNER AUDIO MUTE CONTROL (MUTE:H)
73	TU_V_MUTE(H)	OUT	TUNER VIDEO CONTROL (MUTE:H)
74	A.MUTE(H)	OUT	AUDIO MUTE CONTROL (MUTE:H)
75	I2C_CLK2	OUT	SERIAL DATA TRANSFER CLOCK FOR MEMORY IC
76	I2C_DATA2	IN/OUT	SERIAL DATA TRANSFER OUTPUT FOR MEMORY IC
77	DDCFWD	-	NC
78	DDCREV	-	NC
79	DDSPDCTL	-	NC
80	V.P.CTL	OUT	V.PULSE CONTROL, V COMPENSATION DURING SPECIAL PLAYBACK [HR-S7700MS]
81	R-Y_REV/EDS_CS	-	NC
82	VCC	-	SYSTEM POWER
83	SLOW_P	OUT	MEMORY TIMING CONTROL IN THE SLOW MODE [HR-S7700MS]
84	VSS	-	GND
85	SP_SHORT(H)	OUT	MODE SELECT [HR-S6700MS]
86	LP_SHORT(H)	OUT	MODE SELECT [HR-S6700MS]
87	FLY_ON(H)	OUT	FLYING ERASE ON:H [HR-S7700MS]
88	H.REC_ST(H)	OUT	HIFI AUDIO SOUND RECORDING START
89	TRICK(H)/M_TRICK(L)	-	NC
90	HEAD_SEL	IN	HEAD SELECT(LP HEAD:H, SP HEAD:L)
91	OSD_CS	OUT	CHIP SELECT FOR THE ON-SCREEN IC
92	SYNC_DET(H)	IN	DETECTION OF VIDEO SYNC SIGNAL (DETECTED:H)
93	MESECAM(H)	OUT	MESECAM:H
94	JSB/STLB	IN	INPUT FOR THE JOG SHUTTLE [HR-S7700MS]
95	SHTL(L)/JOGA	IN	INPUT FOR THE JOG SHUTTLE [HR-S7700MS]
96	JOGB/S_CASS(H)	IN	NC/DETECTION SIGNAL FOR SVHS CASSETTE (SVHS:H)
97	JSA/STLA	IN	INPUT FOR THE JOG SHUTTLE [HR-S7700MS]
98	C.SYNC	IN	COMPOSITE SYNC
99	A.FF	OUT	AUDIO FF OUTPUT
100	V.FF	OUT	ROTATION DETECTION SIGNAL FOR DRUM MOTOR/TIMING CONTROL SIGNAL FOR REC
101	CAPPWM	OUT	CAPSTAN MOTOR CONTROL
102	DRUMPWM	OUT	DRUM MOTOR CONTROL
103	SUB_RESET	-	NC
104	HI_FF/REW(L)	OUT	HIGH SPEED FF/REW:L
105	SUB_BUSY	-	NC
106	SUB_CS	-	NC
107	DPG	IN	DRUM PICKUP PULSE INPUT (SWITCHING PULSE)
108	DFG	IN	DRUM FG PULSE INPUT
109	VCC	-	SYSTEM POWER
110	V.PULSE	OUT	V.PULSE ADDITION TIMING CONTROL
111	VSS	-	GND
112	CTLREF	-	CTL REFERENCE VOLTAGE

Table 1-7-2 SYSCON CPU pin function(2/2)

SECTION 2 MECHANISM ADJUSTMENT

2.1 BEFORE STARTING REPAIR AND ADJUSTMENT

2.1.1 Precautions

- (1) Unplug the power cable of the main unit before using your soldering iron.
- (2) Take care not to cause any damage to the conductor wires when plugging and unplugging the connectors.
- (3) Do not randomly handle the parts without identifying where the trouble is.
- (4) Exercise enough care not to damage the lugs, etc. during the repair work.
- (5) When installing the front panel assembly, be sure to hook the lug on the back side of the cassette door to the door opener of the cassette holder. If this operation is neglected it will not be possible to remove the cassette when ejecting because the housing door cannot be opened.

2.1.2 Checking for Proper Mechanical Operations

Enter the mechanism service mode when you want to operate the mechanism when no cassette is loaded. (See 1.5 MECHANISM SERVICE MODE.)

2.1.3 Manually Removing the Cassette Tape

1. In case of electrical failures

If you cannot remove the cassette tape which is loaded because of any electrical failure, manually remove it by taking the following steps.

- (1) Unplug the power cable and remove the top cover, bracket and front panel assembly. (See 1.3 DISASSEMBLY/ASSEMBLY METHOD.)
- (2) Unload the cassette by manually turning the loading motor of the mechanism assembly toward the front. In doing so, hold the tape by the hand to keep the slack away from any grease. (See Fig.2-1-3a.)
- (3) Bring the pole base assembly (supply or take-up side) to a pause when it reaches the position where it is hidden behind the cassette tape.
- (4) Move the top guide toward the drum while holding down the lug **A** of the bracket retaining the top guide. Likewise hold part **B** down and remove the top guide. Section **C** of the top guide is then brought under the cassette lid. Then remove the top guide by pressing the whole cassette tape down. (See Fig.2-1-3b.)
- (5) Remove the cassette tape by holding both the slackened tape and the cassette lid.
- (6) Take up the slack of the tape into the cassette. This completes removal of the cassette tape.

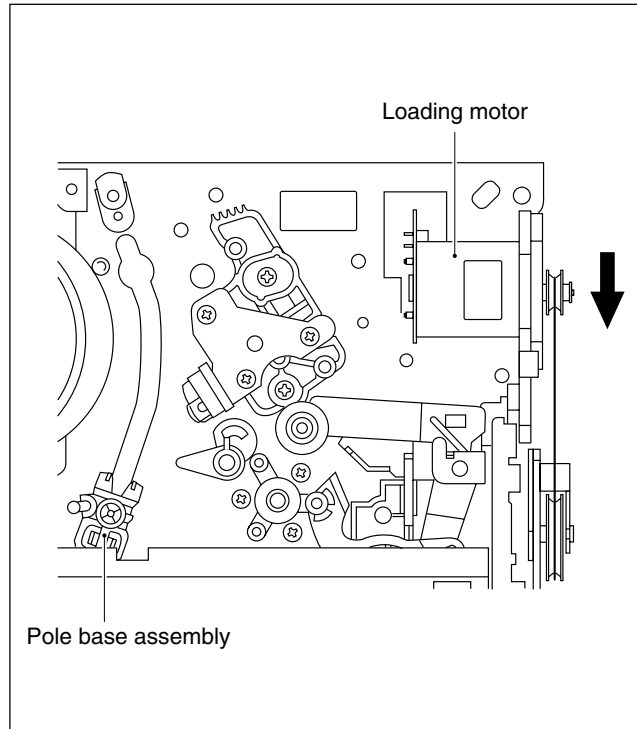


Fig. 2-1-3a

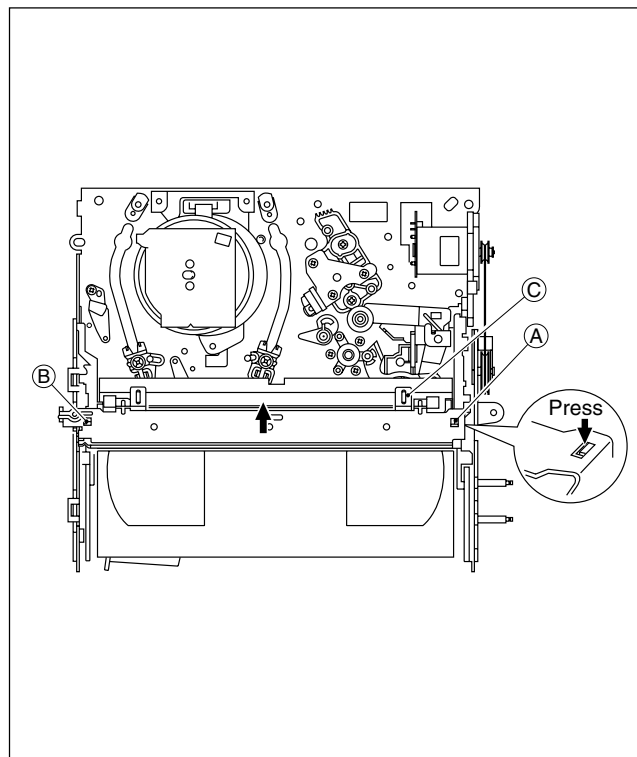


Fig. 2-1-3b

2. In case of mechanical failure

If you cannot remove the cassette tape which is loaded because of any mechanical failure, manually remove it by taking the following steps.

- (1) Unplug the power cable and remove the top cover, front panel assembly and others so that the mechanism assembly is visible. (See 1.3 DISASSEMBLY/ASSEMBLY METHOD.)
- (2) While keeping the tension arm assembly of the mechanism assembly free from tension, pull the tape on the pole base assembly (supply or take-up side) out of the guide roller. (See Fig.2-1-3c.)
- (3) Take the spring of the pinch roller arm assembly off the hook of the press lever assembly, and detach it from the tape. (See Fig.2-1-3d.)
- (4) In the same way as in the electrical failure instructions in 2.1.3-1(4), remove the top guide.
- (5) Raise the cassette tape cover. By keeping it in that position, draw out the cassette tape case from the cassette holder and take out the tape.
- (6) By hanging the pinch roller arm assembly spring back on the hook, take up the slack of the tape into the cassette.

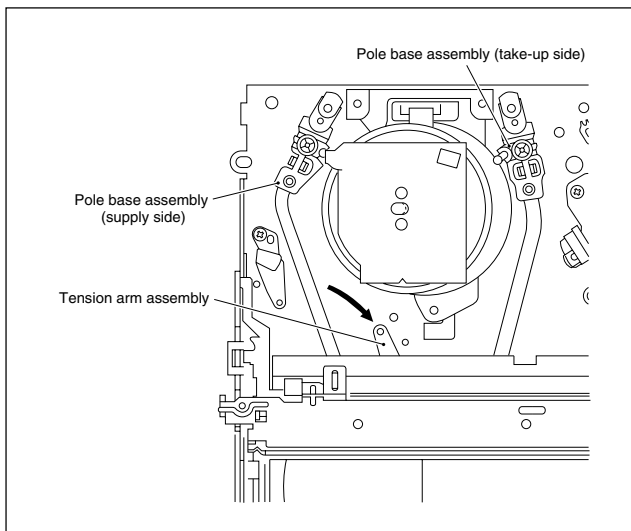


Fig. 2-1-3c

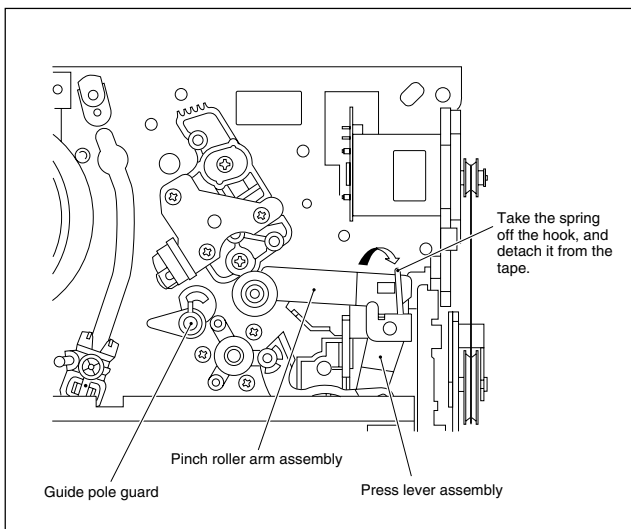
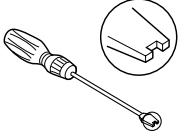
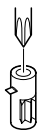
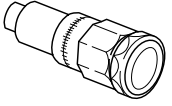
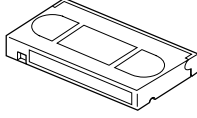
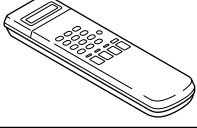
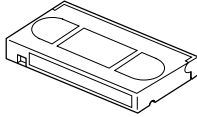
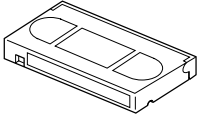


Fig. 2-1-3d

2.1.4 Jigs and Tools Required for Adjustment

Roller driver PTU94002	A/C head positioning tool PTU94010	Torque gauge PUJ48075-2
		
Back tension cassette gauge PUJ48076-2	Jig RCU PTU94023B	
		
Alignment tape (SP, stairstep, PAL) MHPE	Alignment tape (LP, stairstep, PAL) MHPE-L	
		

2.1.5 Maintenance and Inspection

1. Location of major mechanical parts

In this chapter, the two mechanism speeds are described by comparing the speeds of the standard type and the high-speed FF/REW type.

It is possible to distinguish between these two types of mechanism by the diameters of their capstan pulleys.

The capstan pulley diameter for the standard type is approx. 32 mm.

The capstan pulley diameter for the high-speed FF/REW type is approx. 43 mm.

For information on the different parts used in the two mechanism types, please refer to the "Replacement of major parts".

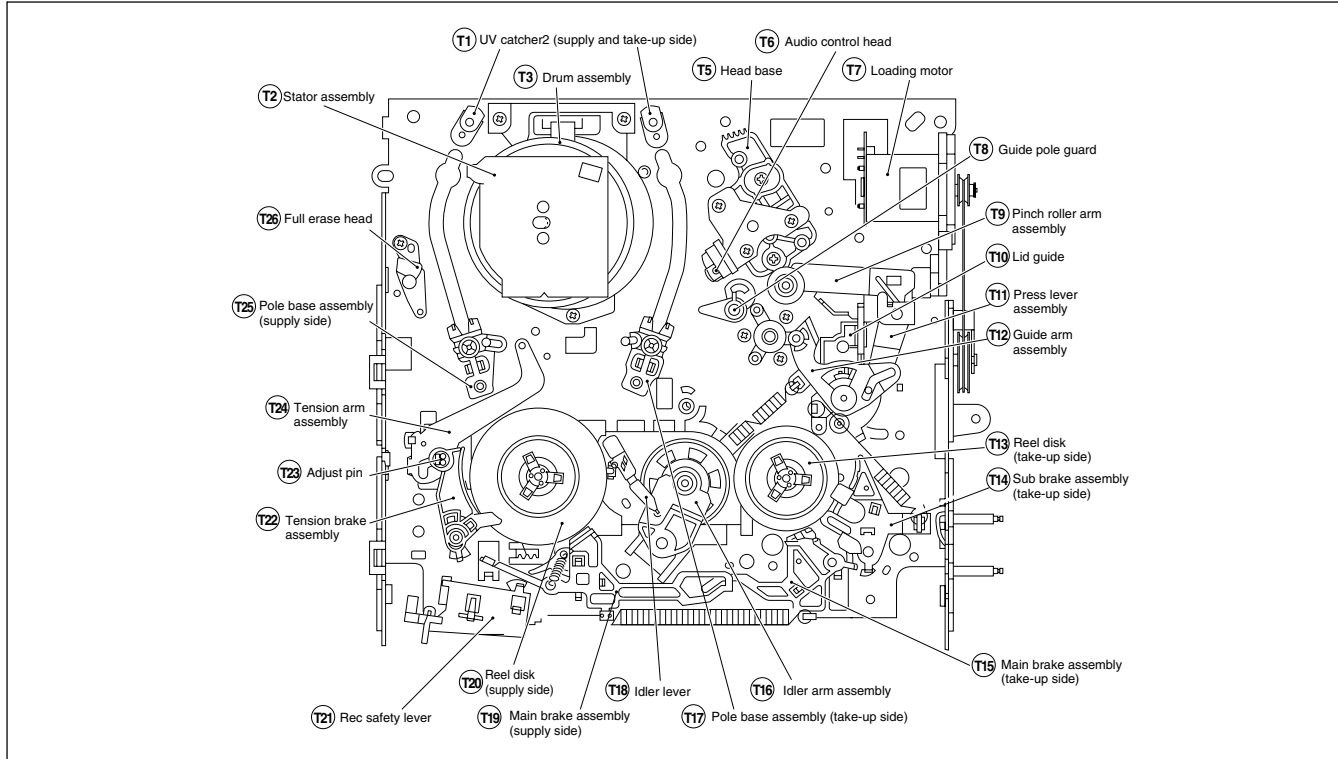


Fig. 2-1-5a Mechanism assembly top side

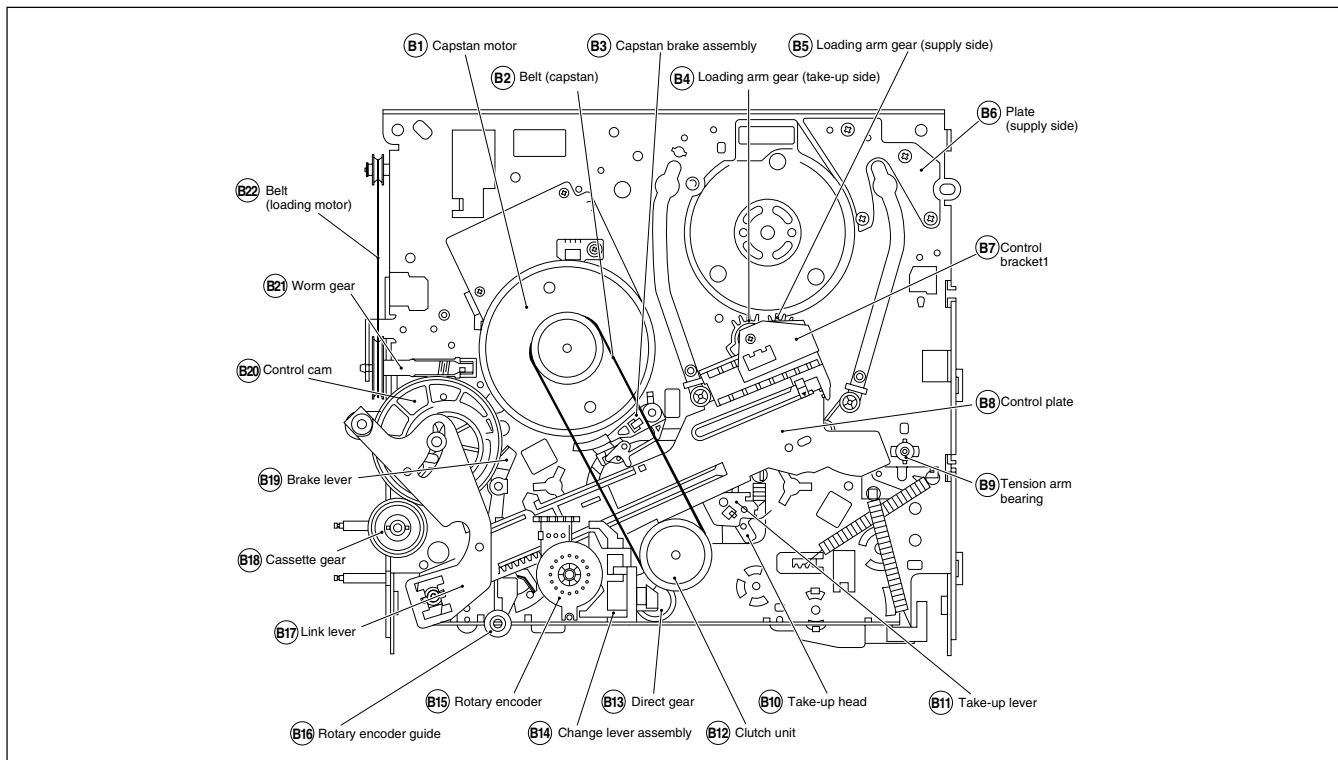


Fig. 2-1-5b Mechanism assembly bottom side

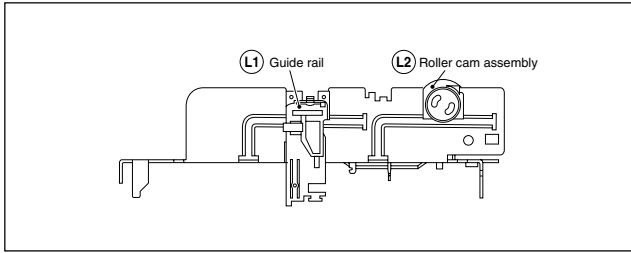


Fig. 2-1-5c Mechanism assembly left side

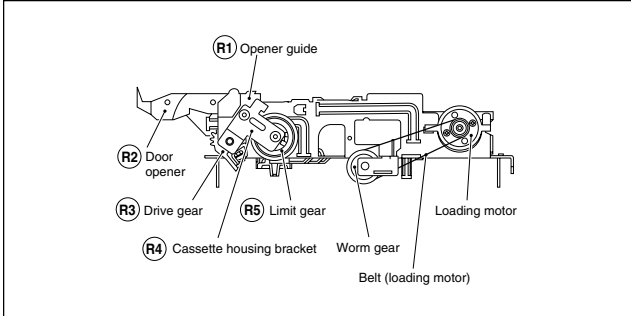


Fig. 2-1-5d Mechanism assembly right side

2. Cleaning

Regular cleaning of the transport system parts is desirable but practically impossible. So make it a rule to carry out cleaning of the tape transport system whenever the machine is serviced.

When the video head, tape guide and/or brush get soiled, the playback picture may appear inferior or at worst disappear, resulting in possible tape damage.

- (1) When cleaning the upper drum (especially the video head), soak a piece of closely woven cloth or Kimu-wipe with alcohol and while holding the cloth onto the upper drum by the fingers, turn the upper drum counterclockwise.

Note:

- **Absolutely avoid sweeping the upper drum vertically as this will cause damage to the video head.**

- (2) To clean the parts of the tape transport system other than the upper drum, use a piece of closely woven cloth or a cotton swab soaked with alcohol.
- (3) After cleaning, make sure that the cleaned parts are completely dry before using the video tape.

3. Lubrication

With no need for periodical lubrication, you have only to lubricate new parts after replacement. If any oil or grease on contact parts is soiled, wipe it off and newly lubricate the parts.

Note:

- **See the “mechanism assembly” diagram of the parts list for the lubricating or greasing spots, and for the types of oil or grease to be used.**

4. Suggested servicing schedule for main components

The following table indicates the suggested period for such service measures as cleaning, lubrication and replacement. In practice, the indicated periods will vary widely according to environmental and usage conditions. However, the indicated components should be inspected when a set is brought for service and the maintenance work performed if necessary. Also note that rubber parts may deform in time, even if the set is not used.

System	Parts Name	Operation Hours	
		~1000H	~2000H
Tape transport	Upper drum assembly	★○	○
	A/C head	★○	★○
	Lower drum assembly	★	★○
	Pinch roller arm assembly	★	★
	Full erase head	★	★
	Tension arm assembly	★	★
	Capstan motor (Shaft)	★	★
	Guide arm assembly	★	★
Drive	Capstan motor		○
	Capstan brake assembly		○
	Main brake assembly		○
	Belt (Capstan)	○	○
	Belt (Loading motor)		○
	Loading motor		○
	Clutch unit		○
	Worm gear		○
	Control plate		○
Other	Brush	★○	★○
	Tension brake assembly	○	○
	Rotary encoder		○

★ : Cleaning

○ : Inspection or Replacement if necessary

Table 2-1-5a

5. Disassembling procedure table

The following table indicates the order in which parts are removed for replacement. To replace parts, remove them in the order of 1 to 18 as shown in the table. To install them, reverse the removal sequence.

The symbols and numbers preceding the individual part names represent the numbers in the “Location of major mechanical parts” table. Also, the “T”, “B”, and “T/B” on the right of each part name shows that the particular part is removed from the front, from the back, and from both sides of the mechanism, respectively.

Symbols and numbers (Reference items) Replacement parts	Removal parts	Front (T)/Back (B) of mechanism	Number of removal steps	L1	L2	R4	R1	—	—	R3	—	T9	T12	T11	T1	B15	B12	B14	B13	—	B17	B21	B7	B8	B5	B4	B11	T14	T15	T13	T22	T24	T18	B19				
				Guide rail	Roller cam assembly	Cassette housing bracket	Opener guide	Relay gear	Cassette holder assembly	Drive gear	Drive arm	Pinch roller arm assembly	Guide arm assembly	Press lever assembly	UV catcher2	Rotary encoder	Clutch unit	Change lever assembly	Direct gear	Clutch gear	Link lever	Worm gear	Control bracket1	Control plate	Loading arm gear (supply side)	Loading arm gear (take-up side)	Take-up lever	Sub brake assembly (take-up side)	Main brake assembly (take-up side)	Reel disk (take-up side)	Tension brake assembly	Tension arm assembly	Idler lever	Brake lever (*1)				
L1	2.2.3	Guide rail	T	1																																		
L2	2.2.3	Roller cam assembly	T	1																																		
R4	2.2.3	Cassette housing bracket	T	1																																		
R1	2.2.3	Opener guide	T	2			1																															
R2	2.2.3	Door opener	T	3			1	2																														
—	2.2.3	Relay gear	T	3			1	2																														
R5	2.2.3	Limit gear	T	3			1	2																														
—	2.2.3	Cassette holder assembly	T	6	1	2	3	4	5																													
R3	2.2.3	Drive gear	T	4			1	2	3																													
—	2.2.3	Drive arm	T	8	1	2	3	4	5	6	7																											
T9	2.2.4	Pinch roller arm assembly	T	1																																		
T12	2.2.5	Guide arm assembly	T	1																																		
T11	2.2.5	Press lever assembly	T	3								1	2																									
T6	2.2.6	Audio control head	T	1																																		
T7	2.2.7	Loading motor	T	1																																		
B1	2.2.8	Capstan motor	T/B	1																																		
T1	2.2.9	UV catcher2	T	1																																		
T17	2.2.9	Pole base assembly (take-up side)	T/B	2												1																						
T25	2.2.9	Pole base assembly (supply side)	T/B	2												1																						
B15	2.2.10	Rotary encoder	B	1																																		
B12	2.2.11	Clutch unit	B	1																																		
B14	2.2.12	Change lever assembly	B	3												1	2																					
B13	2.2.12	Direct gear	B	4												1	2	3																				
—	2.2.12	Clutch gear	B	5												1	2	3	4																			
—	2.2.12	Coupling gear (*2)	B	6												1	2	3	4	5																		
B17	2.2.13	Link lever	B	1																																		
B18	2.2.14	Cassette gear	B	2																			1															
B20	2.2.14	Control cam	B	2																			1															
B21	2.2.14	Worm gear	B	1																																		
T10	-	Lid guide	T/B	5								1	2	3									4															
B7	2.2.15	Control bracket1	B	1																																		
B8	2.2.15	Control plate	B	6												1	2	3					4		5													
B5	2.2.16	Loading arm gear (supply side)	B	7												1	2	3					4		5	6												
B4	2.2.16	Loading arm gear (take-up side)	B	8												1	2	3					4		5	6	7											
—	2.2.16	Loading arm gear shaft	B	9												1	2	3					4		5	6	7	8										
B11	2.2.17	Take-up lever	T/B	7												1	2	3					4		5	6												
B10	2.2.17	Take-up head	T/B	8												1	2	3					4		5	6												
—	2.2.17	Control plate guide	T/B	8												1	2	3					4		5	6												
B3	2.2.18	Capstan brake assembly	T/B	7												1	2	3					4		5	6												
T14	2.2.19	Sub brake assembly (take-up side)	T/B	15	1	2	3	4	5	6	7	8				9	10	11					12		13	14												
T15	2.2.20	Main brake assembly (take-up side)	T/B	16	1	2	3	4	5	6	7	8				9	10	11					12		13	14												
T19	2.2.20	Main brake assembly (supply side)	T/B	9	1	2	3	4	5	6	7	8																										
T13	2.2.20	Reel disk (take-up side)	T/B	16	1	2	3	4	5	6	7	8				9	10	11					12		13	14												
T22	2.2.21	Tension brake assembly	T/B	9	1	2	3	4	5	6	7	8																										
T20	2.2.21	Reel disk (supply side)	T/B	10	1	2	3	4	5	6	7	8																										
T24	2.2.21	Tension arm assembly	T/B	10	1	2	3	4	5	6	7	8																										
B9	2.2.21	Tension arm bearing	T/B	10	1	2	3	4	5	6	7	8																										
T18	2.2.22	Idler lever	T/B	17	1	2	3	4	5	6	7	8				9	10	11					12		13	14												
T16	2.2.22	Idler arm assembly	T/B	18	1	2	3	4	5	6	7	8				9	10	11					12		13	14												
B19	-	Brake lever (*1)	T/B	18	1	2	3	4	5	6	7	8				9	10	11					12		13	14												
B16	-	Rotary encoder guide	T/B	19	1	2	3	4	5	6	7	8				9	10	11					12		13	14												

Table 2-1-5b

Note:

- The parts with marked (*) have different types of mechanisms (standard type or high-speed FF/REW type).
 - * 1 : Uses the standard type mechanism only.
 - * 2 : Uses the high-speed FF/REW type mechanism only.

2.2 REPLACEMENT OF MAJOR PARTS

2.2.1 Before Starting Disassembling (Phase matching between mechanical parts)

The mechanism of this unit is closely linked with the rotary encoder and system controller circuits.

Since the system controller detects the status of mechanical operation in response to phases of the rotary encoder (internal switch positions), the mechanism may not operate properly unless such parts as the rotary encoder, control plate, loading arm gear, control cam, cassette gear, limit gear, relay gear and drive gear are installed in their correct positions.

Especially, this model is not provided with any cassette housing assembly, so that cassette loading and unloading must be accomplished by operation of the cassette holder assembly. The latter is in turn driven by such parts as the drive gear, relay gear and limit gear. Exercise enough care, therefore, to have the phases of all this gear matching one another. (For information on phase matching of the mechanism, see the instructions on how to install individual parts.)

This unit is provided with a mechanism assembly mode. It is therefore necessary to enter this mode for assembling and disassembling procedures.

This mode is usually not in use, manually set it when it is required.

2.2.2 How to Set the Mechanism Assembling Mode

Remove the mechanism assembly and place it bottom side up. (See SECTION 1 DISASSEMBLY.) Turn the worm gear toward the front so that the guide hole of the control cam is brought into alignment with the hole at the mechanism assembly chassis. This position renders the mechanism assembling mode operational. Make sure that the control plate is located in alignment with the mark E. (See Fig.2-2-2a.)

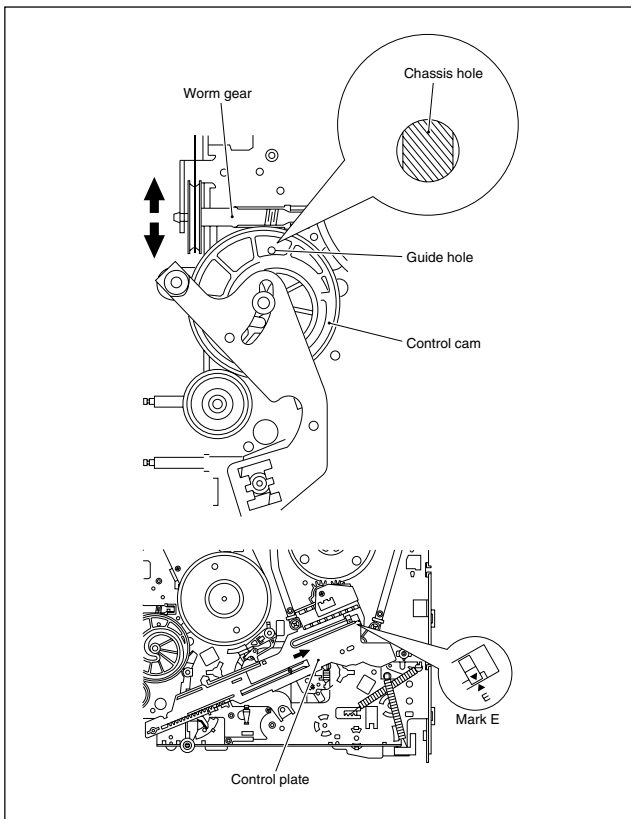


Fig. 2-2-2a

2.2.3 Cassette Holder Assembly

1. How to remove

- (1) Remove the guide rail and roller cam assembly. (See Fig.2-2-3a.)
(3 lugs on the guide rail and one lug on the roller cam assembly)

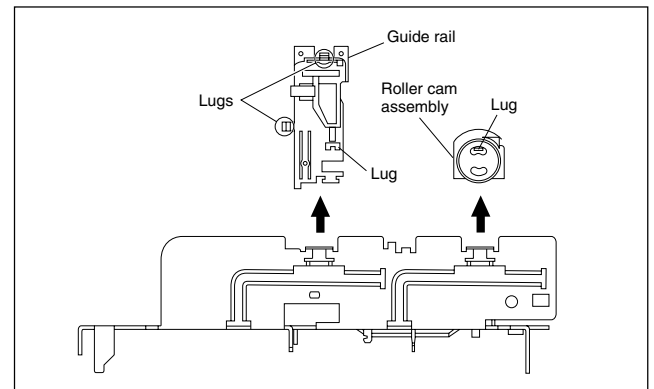


Fig. 2-2-3a

- (2) Remove the two slit washers and remove the cassette housing bracket. (See Fig.2-2-3b.)
- (3) Remove the opener guide, spring(A), door opener, relay gear and limit gear. (See Fig.2-2-3b.)

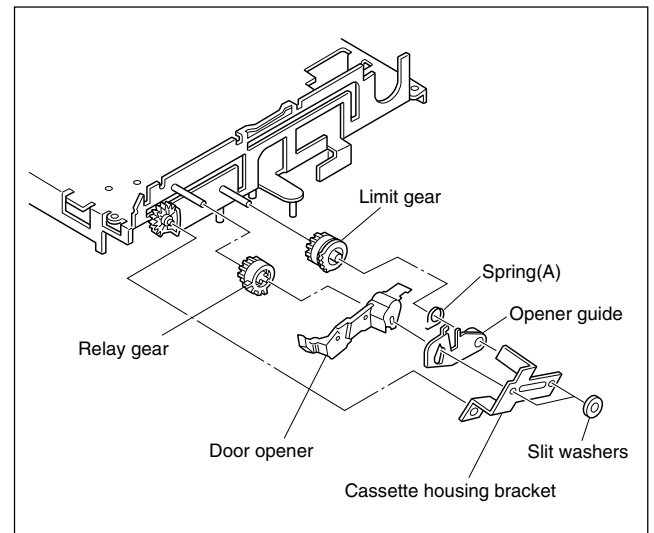


Fig. 2-2-3b

- (4) While swinging the lock levers (R) and (L) of the cassette holder assembly toward the front, slide the cassette holder assembly until its legs come to where the guide rail and the roller cam assembly have been removed (so that the drive arm is upright). (See Fig.2-2-3c.)

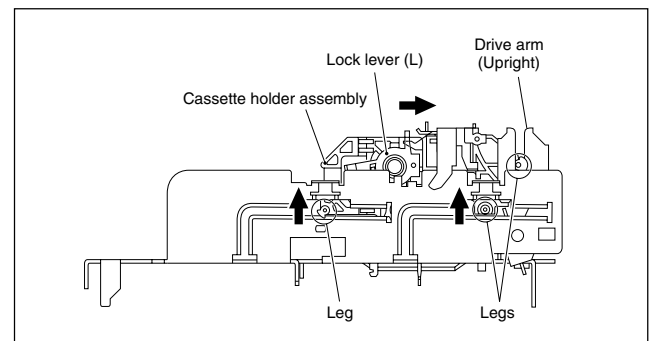


Fig. 2-2-3c

- (5) While holding the left side of the cassette holder, lift the cassette holder assembly so that the three legs on the left side are all released. Then pull the legs (A) and (B) on the right side out of the rail and also pull up the leg (C). (See Fig.2-2-3d and Fig.2-2-3e.)
- (6) Draw out the drive gear, and remove the drive arm.

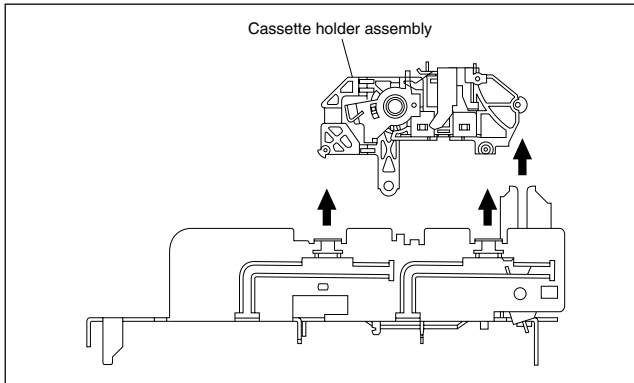


Fig. 2-2-3d

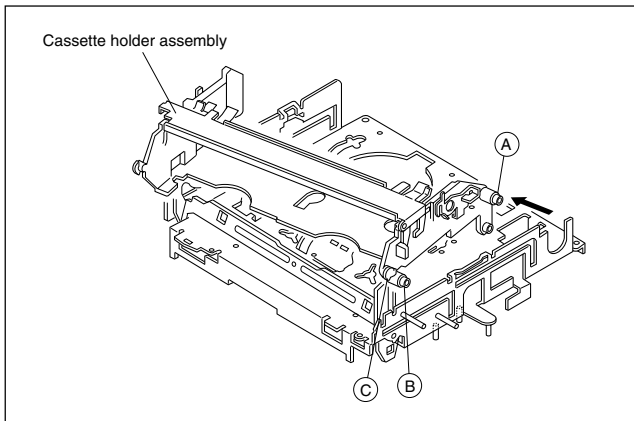


Fig. 2-2-3e

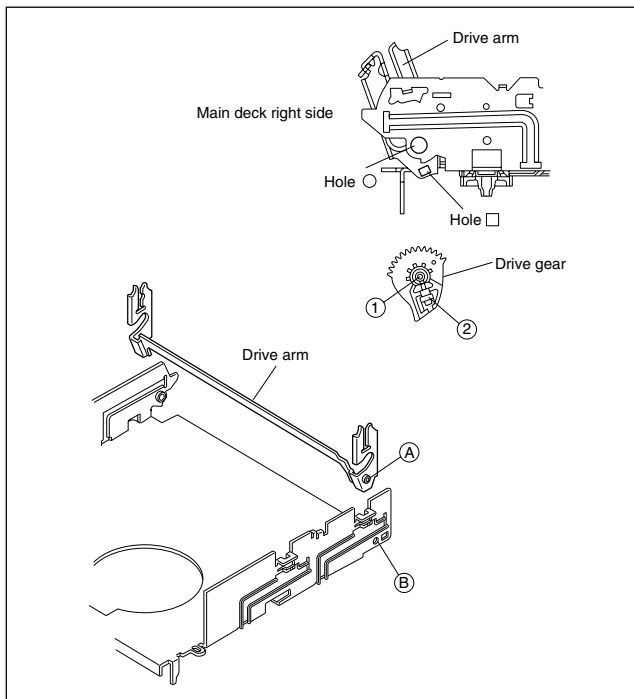


Fig. 2-2-3f

2. How to install (Phase matching)

- (1) Insert the section (A) of the drive arm into the section (B) of the main deck.
- (2) Insert the section (1) of the drive gear into the round hole, and the section (2) into the square hole on the drive arm. (See Fig.2-2-3f.)
- (3) Hold the drive arm upright and fit the leg (C) on the right side of the cassette holder assembly into the groove. (See Fig.2-2-3g.)
- (4) While swinging the lock lever (R) of the cassette holder assembly toward the front, put the legs (A) and (B) into the rail. (See Fig.2-2-3g.)
- (5) Drop the three legs on the left side of the cassette holder assembly into the groove at one time. (See Fig.2-2-3h.)
- (6) Slide the whole cassette holder assembly toward the front to bring it to the eject end position.
- (7) Install the limit gear so that the notch on the outer circumference of the limit gear is brought into alignment with the guide hole on the main deck. (See Fig.2-2-3i.)
- (8) Install so that the notch on the periphery of the relay gear is aligned with the notch of the main deck and that hole A of the relay gear is aligned with the hole A of the limit gear and that hole B of the relay gear is aligned with the hole B of the drive gear. (See Fig.2-2-3i.)
- (9) Install the door opener, opener guide, spring(A) and cassette housing bracket and fasten the two slit washers.

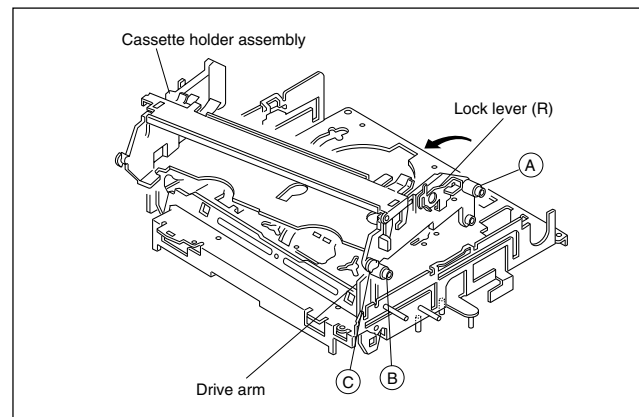


Fig. 2-2-3g

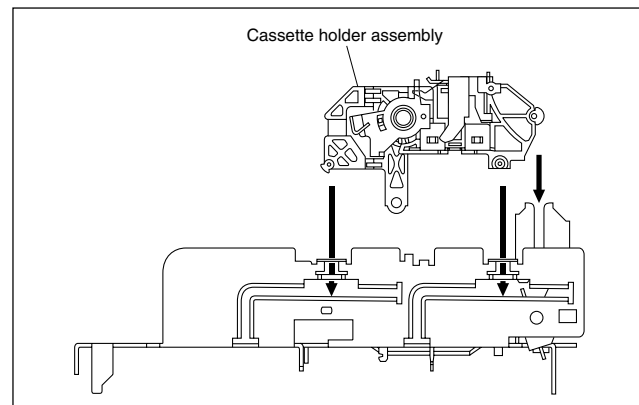


Fig. 2-2-3h

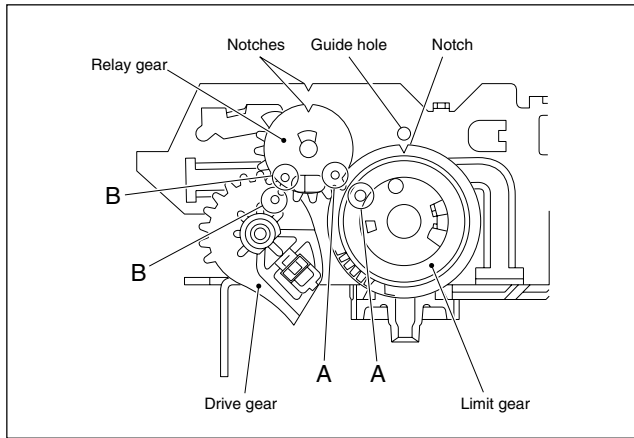


Fig. 2-2-3i

2.2.4 Pinch Roller Arm Assembly

1. How to remove

- (1) Remove the spring from the hook of the press lever assembly.
- (2) Remove the slit washer and remove the pinch roller seat 2. (See Fig.2-2-4a.)
- (3) Remove the pinch roller arm assembly by pulling it up.

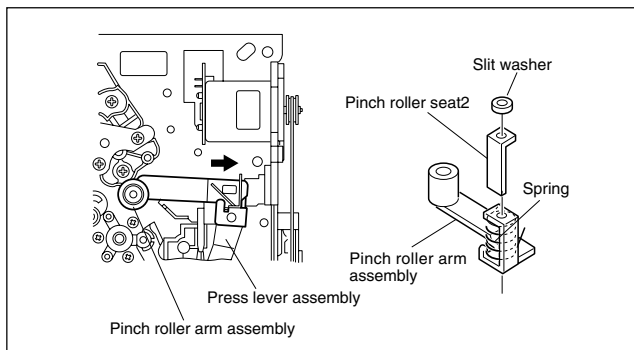


Fig. 2-2-4a

2.2.5 Guide Arm Assembly and Press Lever Assembly

1. How to remove

- (1) Remove the spring and expand the lug of the lid guide in the arrow-indicated direction. Then remove the guide arm assembly by pulling it up.
- (2) Remove the press lever assembly by pulling it up. (See Fig.2-2-5a.)

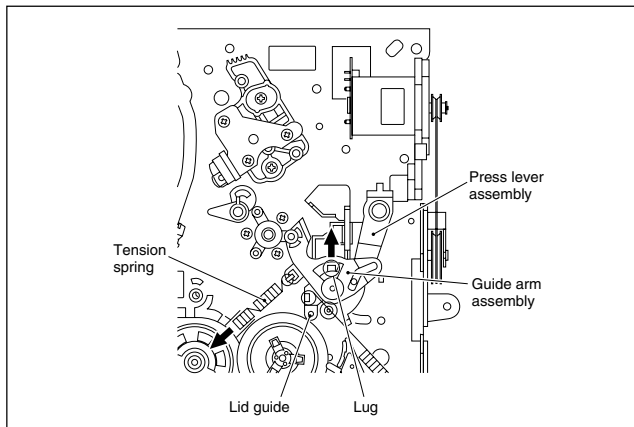


Fig. 2-2-5a

2.2.6 Audio Control Head

1. How to remove

- (1) Remove the two screws (A) and remove the audio control head together with the head base.
- (2) When replacing only the audio control head, remove the three screws (B) while controlling the compression spring.

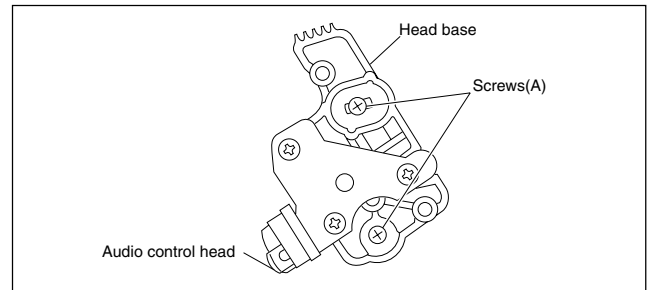


Fig. 2-2-6a

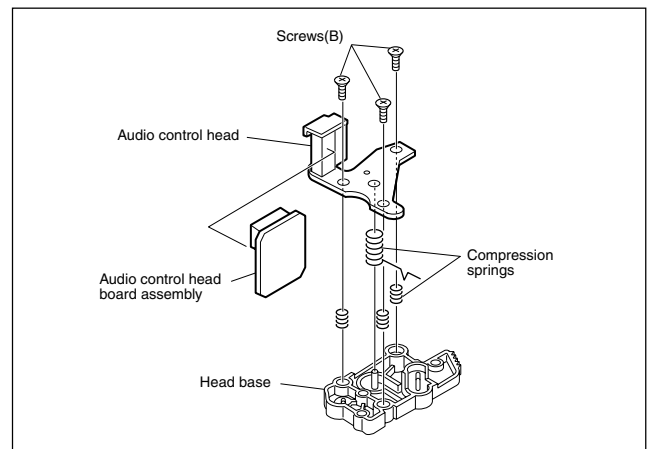


Fig. 2-2-6b

2. How to install

- (1) To make the post-installation adjustment easier, set the temporary level as indicated in Fig.2-2-6c. Also make sure that the screw center (centre) is brought into alignment with the center (centre) position of the slot.

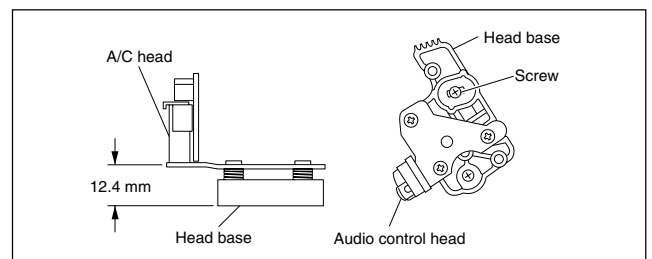


Fig. 2-2-6c

2.2.7 Loading Motor

1. How to remove

- (1) Remove the belt wound around the worm gear.
- (2) Open the two lugs of the motor guide and remove the loading motor, loading motor board assembly and motor guide altogether by pulling them up.
- (3) When replacing the loading motor board assembly, take care with the orientation of the loading motor. (Install so that the loading motor label faces upward.)
- (4) When the motor pulley has been replaced, choose the fitting dimension as indicated in Fig.2-2-7a.

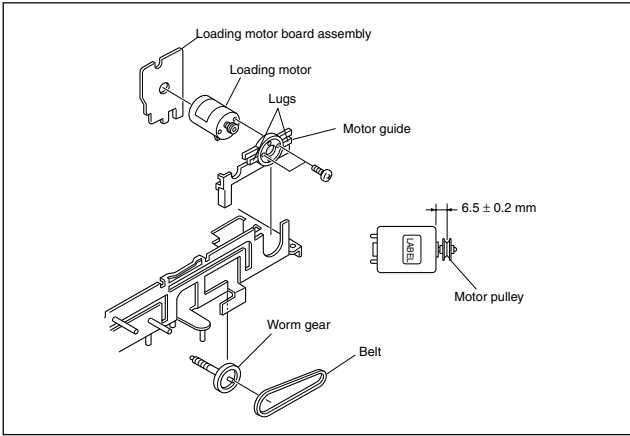


Fig. 2-2-7a

2.2.8 Capstan Motor

1. How to remove

- (1) Remove the belt (capstan) on the mechanism assembly back side.
- (2) Remove the three screws (A) and remove the capstan motor.

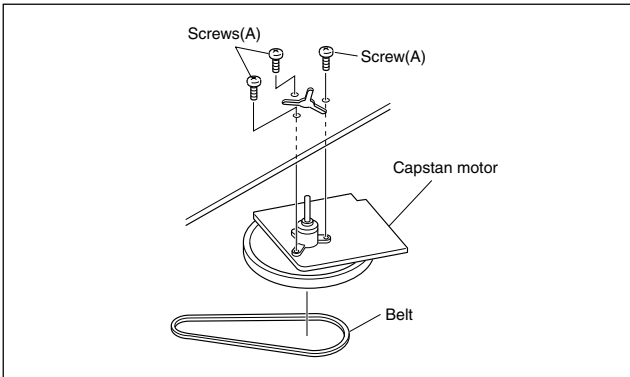


Fig. 2-2-8a

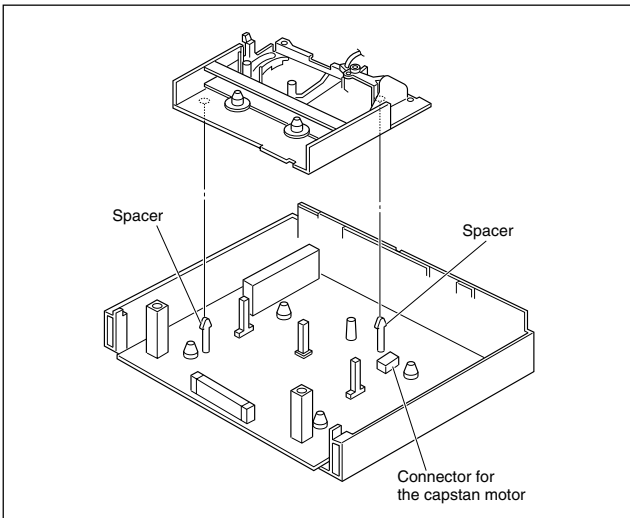


Fig. 2-2-8b

2. How to install (Centering the mounting position)

When the capstan motor has once been removed and then reinstalled out of the initial correct position in the rotational direction, the capstan motor current may be unstable during operation in high or low temperatures. This may result in greater Wow & Flutter and occasionally in power breakdown because of current over - load. Install the capstan motor while following the procedure given below.

(The capstan motor is centrally located when the unit is shipped from the factory.)

- (1) Provisionally tighten the three screws (A) securing the capstan motor.
- (2) Install the mechanism assembly to which the capstan motor is provisionally fastened on the bottom chassis which incorporates the Main board assembly. (No need to tighten the screws for mounting the mechanism.) Make sure that all the connectors for the mechanism assembly and the Main board assembly are correctly installed as indicated in Fig. 2-2-8b.
- (3) Making sure that the connector for the capstan motor is correctly mounted, and securely tighten the three screws (A).

Note:

- **When the capstan motor has been replaced with a new one, perform recording in the EP(or LP) mode for at least 2 minutes at normal temperatures immediately before starting the FF/REW or SEARCH operations (Aging).**

2.2.9 Pole Base Assembly (supply or take-up side)

1. How to remove

- (1) Remove the UV catcher 2 on the removal side by loosening the screw (A).
- (2) Remove the pole base assembly on the supply side from the mechanism assembly by loosening the screw (B) on the mechanism assembly back side and sliding the pole base assembly toward the UV catcher 2.
- (3) As for the pole base assembly on the take-up side, turn the pulley of the loading motor to lower the cassette holder because the screw (B) is hidden under the control plate. (See the "Procedures for Lowering the Cassette holder assembly" of 1.3 DISASSEMBLY/ASSEMBLY METHOD.) Further turn the motor pulley to move the cassette holder until the screw (B) is no longer under the control plate (in the half-loading position). Then remove it as done for the supply side by removing the screw (B).

Note:

- **After reinstalling the Pole base assembly and the UV catcher2, be sure to perform compatibility adjustment.**

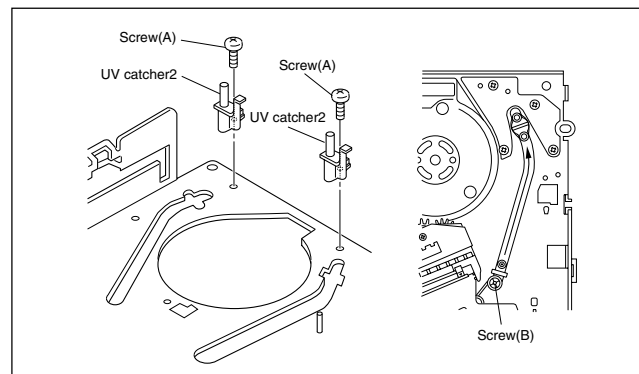


Fig. 2-2-9a

2.2.10 Rotary Encoder

1. How to remove

- (1) Remove the screw (A) and remove the rotary encoder by pulling it up. (See Fig. 2-2-10a.)

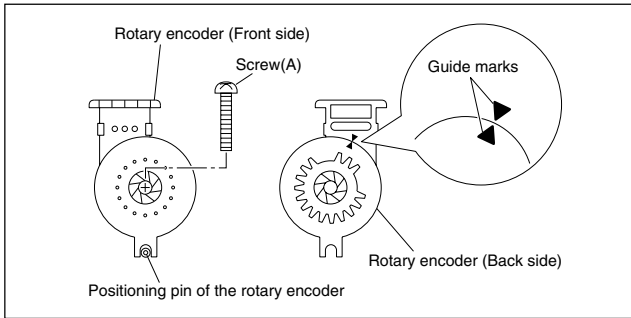


Fig. 2-2-10a

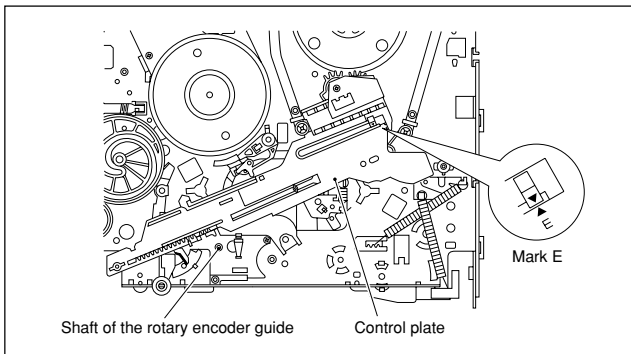


Fig. 2-2-10b

2. How to install (Phase matching)

- (1) Make sure that the mark E of the control plate is in alignment with the mark ▼ of the loading arm gear shaft and bring the guide marks on the rotary encoder into alignment as indicated in Fig.2-2-10a. (See Fig. 2-2-10a and Fig. 2-2-10b.)
- (2) Turn over the rotary encoder with its guide marks kept in alignment and install it by fitting on the shaft of the rotary encoder guide and the positioning pin.
- (3) Tighten the screw (A) to complete the installation.

2.2.11 Clutch Unit

- (1) Remove the belt wound around the capstan motor and the clutch unit.
- (2) Remove the slit washer and remove the clutch unit.

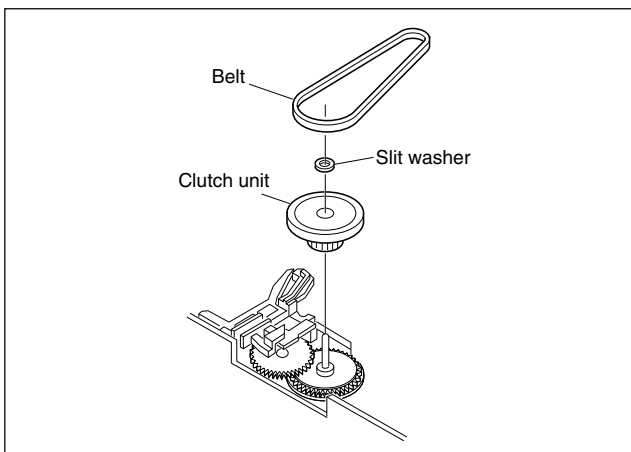


Fig. 2-2-11a

2.2.12 Change Lever Assembly, Direct Gear, Clutch Gear and Coupling Gear

1. How to remove

- (1) Release the two lugs of the rotary encoder guide in the arrow-indicated direction and remove the change lever assembly.
- (2) Remove the slit washer retaining the direct gear and remove the latter. Take care so as not to lose the washer and spring. (See Fig.2-2-12a.)

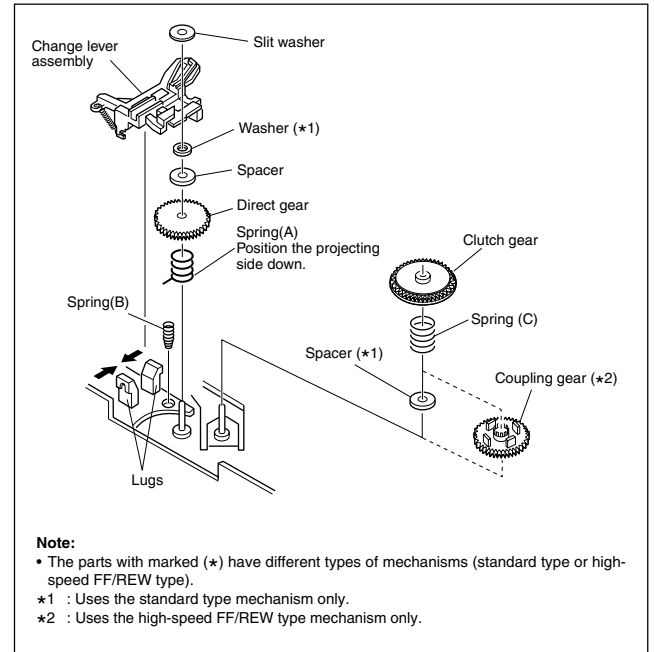


Fig. 2-2-12a

2. How to install

- (1) Install the clutch gear, spring (A), spring (C), direct gear, spacer and others to the individual shafts of the main deck, and finally the slit washer. (See Fig.2-2-12a.)
- (2) Let the spring (B) drops into the rotary encoder guide hole and install the change lever assembly. (Take care not to mistake a direction of the spring.) The point is to slightly lift the clutch gear and catch it from the both sides with the assembly. (See Fig.2-2-12b.)

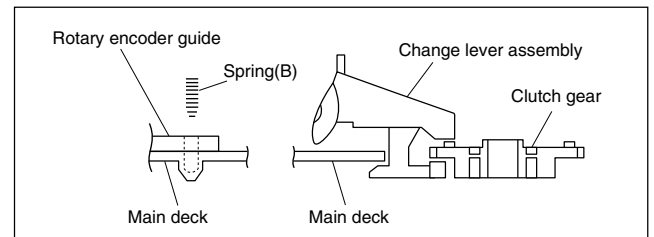


Fig. 2-2-12b

2.2.13 Link Lever

1. How to remove

- (1) Remove the two slit washers.
- (2) Remove the link lever by lifting it from the shaft retained by the slit washers. Then swing the link lever counterclockwise and remove it from the locking section of the control plate.

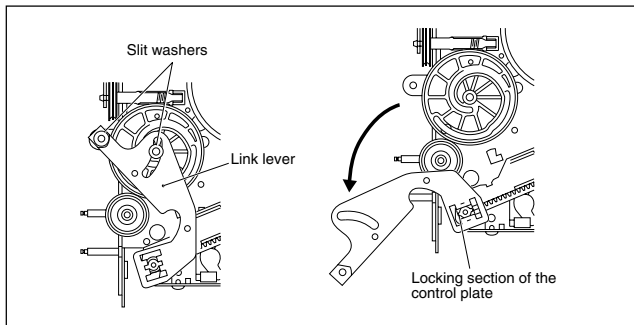


Fig. 2-2-13a

2. How to install (Phase matching)

- (1) Slide the control plate so that its mark E is aligned with the mark ▼ on the loading arm gear shaft. (See Fig.2-2-13b.)
- (2) Rotate the worm gear until the guide hole of the control cam is aligned exactly with the guide hole of the main deck. (See Fig.2-2-13c.)
- (3) Insert the link lever into the locking section of the control plate. (See Fig.2-2-13a.)
- (4) Rotate the link lever clockwise so that it is installed on the shafts in the center (centre) and on the left of the control cam.
- (5) Fasten the slit washers at these two points.

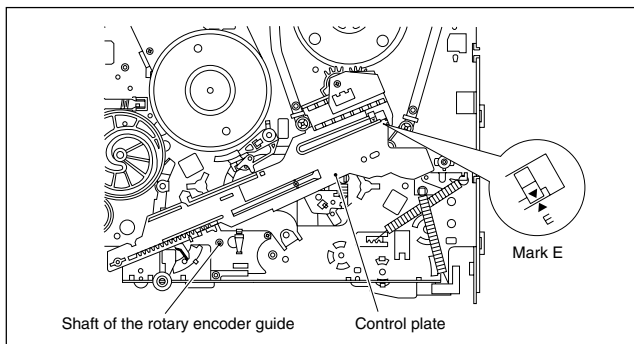


Fig. 2-2-13b

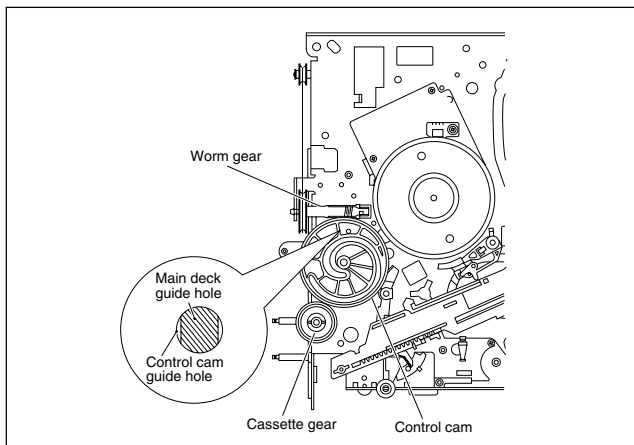


Fig. 2-2-13c

2.2.14 Cassette Gear, Control Cam and Worm Gear

1. How to remove

- (1) Remove the control cam by lifting it.
- (2) Open the two lugs of the cassette gear outward and pull the latter off.
- (3) Remove the belt wound around the worm gear and the loading motor.
- (4) Open the lug of the lid guide outward and remove the worm gear.

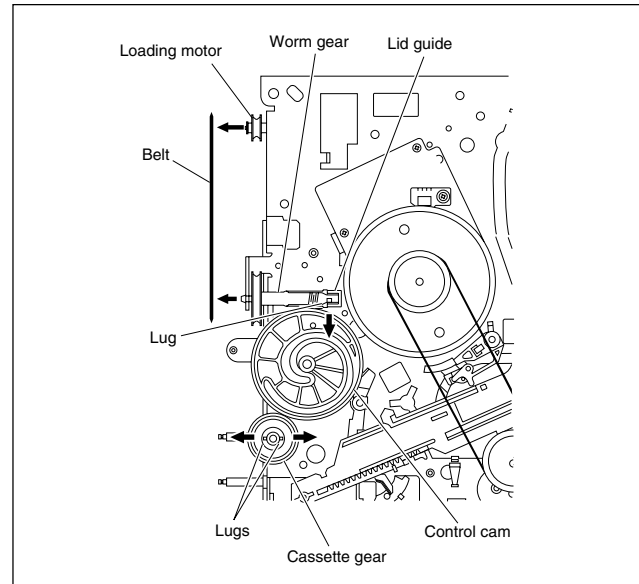


Fig. 2-2-14a

2.2.15 Control Plate

1. How to remove

- (1) Remove the screw (A) retaining the control bracket 1 and remove the latter.
- (2) Slide the control plate as indicated by the arrow and remove the control plate. (See Fig.2-2-15a.)

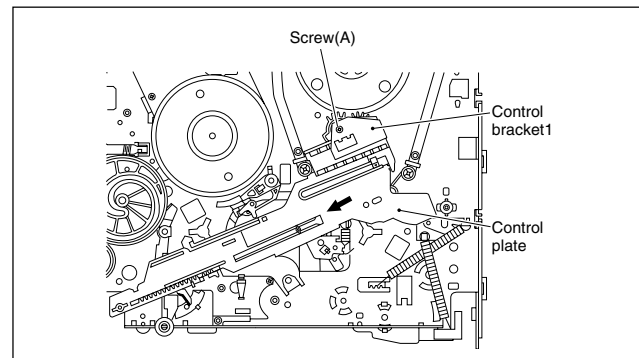


Fig. 2-2-15a

2. How to install (Phase matching)

- (1) Adjust the position of the idler arm assembly pin as indicated in Fig.2-2-15b (to the left of center (centre) of the R section).
- (2) Bring the guide hole of the take-up lever into alignment with the hole at the control plate guide and fix the position by inserting a 1.5 mm hexagonal wrench.

- (3) Install the control plate so that the section A of the loading arm gear shaft fits into the hole (A) of the control plate, the section B of the control plate guide into the hole (B), and the control plate comes under the section C of the rotary encoder guide and the section D of the loading arm gear shaft while press-fit the pole base assembly (supply side) as indicated by the arrow. It is important that the tension arm assembly shaft is positioned closer toward you than the control plate. (See Fig.2-2-15c.)
- (4) Make sure that the mark E of the control plate is in alignment with the mark ▼ of the loading arm gear shaft. (See Fig.2-2-15c.)
- (5) Pull off the hexagonal wrench for positioning.

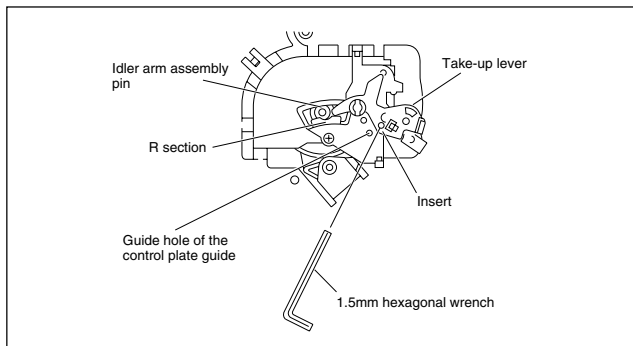


Fig. 2-2-15b

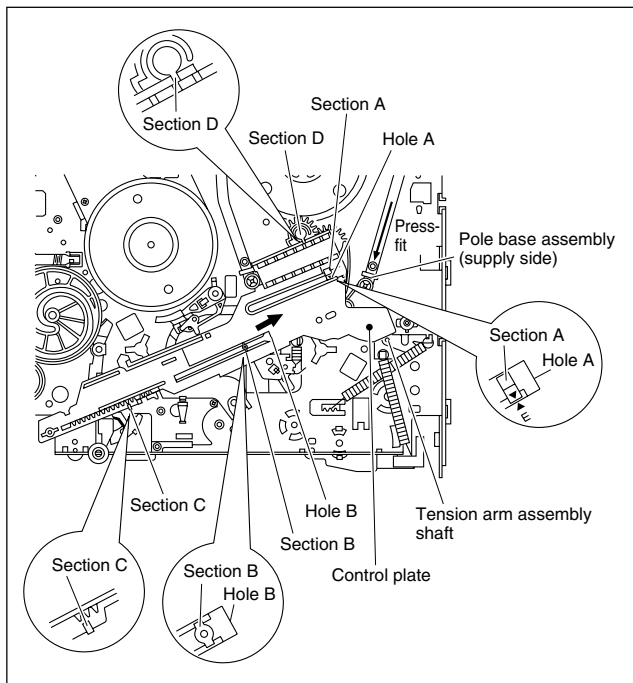


Fig. 2-2-15c

2.2.16 Loading Arm Gear (supply or take-up side) and Loading Arm Gear Shaft

1. How to remove

- (1) Remove the loading arm gear (supply side) by loosening the screw (A). (See Fig. 2-2-16a.)
- (2) Remove the screw (B) and remove the torsion arm from the pole base assembly (take-up side). (See Fig.2-2-16a.)

- (3) Turn the loading arm gear (take-up side) clockwise so that the notch of the loading arm gear (take-up side) is in alignment with the projection of the loading arm gear shaft and lift it. Likewise, turn the loading arm counterclockwise so that the notch is in alignment with the projection and remove the loading arm gear (take-up side). (See Fig.2-2-16a and Fig. 2-2-16b.)
- (4) When removing the loading arm gear shaft, be sure of first removing the screw retaining the drum assembly (on the back side of the loading arm gear shaft). Then remove the screw (C) and remove the loading arm gear shaft by sliding it.

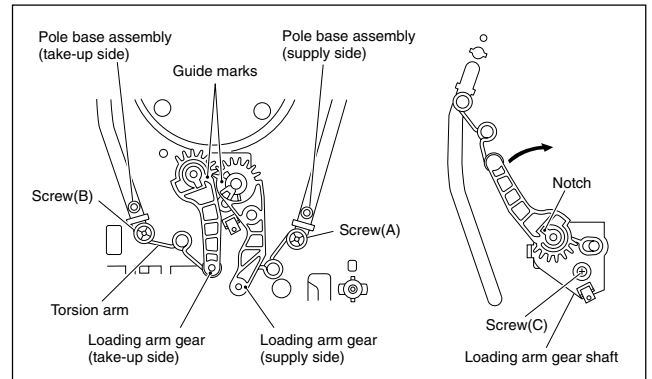


Fig. 2-2-16a

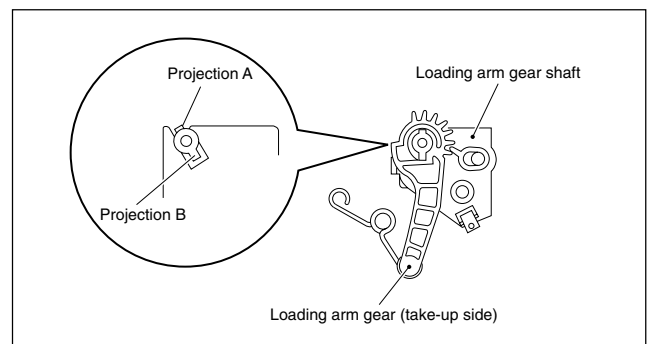


Fig. 2-2-16b

2. How to install

- (1) Align the notch of the loading arm gear (take-up side) to the projection B of the loading arm gear shaft and slip it over. Then rotate it clockwise for alignment with the projection A and slip it down to the bottom. (See Fig.2-2-16b.)
- (2) Then turn the loading arm gear (take-up side) counterclockwise. Hang the torsion arm on the pole base assembly (take-up side) and tighten the screw (B).
- (3) Install the loading arm gear (supply side) so that the guide mark of the loading arm gear (take-up side) is in alignment with the guide mark of the loading arm gear (supply side). Then hang the torsion arm on the pole base assembly (supply side) and tighten the screw (A). (See Fig.2-2-16a.)

2.2.17 Take-up Lever, Take-up Head and Control Plate Guide

- (1) Remove the spring of the take-up lever from the main deck.
- (2) Remove the lug (A) of the take-up lever from the main deck and pull out the take-up lever and the take-up head together.
- (3) Remove the screw (A).
- (4) Align the idler arm assembly pin in the center (centre) of the R section of the control plate guide, remove the control plate guide lugs (B) and (C) from the main deck, and remove the control plate guide.

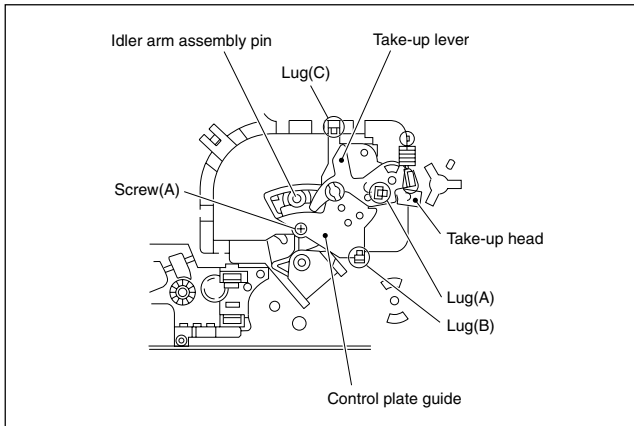


Fig. 2-2-17a

2.2.18 Capstan Brake Assembly

1. How to remove

- (1) Move the lug (A) of the capstan brake assembly in the arrow-indicated direction so that it comes into alignment with the notch of the main deck. (See Fig. 2-2-18a.)
- (2) Remove the lug (B) of the capstan brake assembly from the main deck and remove the capstan brake assembly.

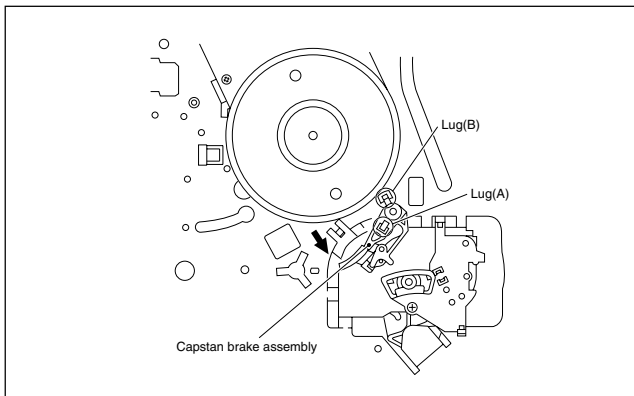


Fig. 2-2-18a

2.2.19 Sub Brake Assembly (take-up side)

1. How to remove

- (1) Remove the spring attached to the lid guide and sub brake assembly (take-up side).
- (2) Bring the lug (A) of the sub brake assembly (take-up side) into alignment with the notch of the main deck.
- (3) Remove the lugs (B) and (C) of the sub brake assembly (take-up side) from the main deck and remove the sub brake assembly (take-up side).

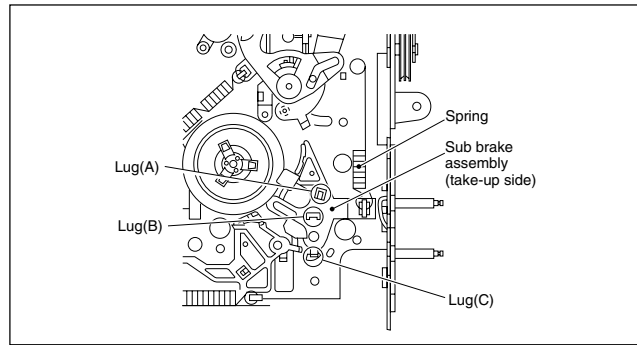


Fig. 2-2-19a

2.2.20 Main Brake Assembly (take-up side), Reel Disk (take-up side) and Main Brake Assembly (supply side)

1. How to remove

- (1) Move the main brake assembly (take-up side) in the arrow-indicated direction and remove the reel disk (take-up side).
- (2) Remove the spring attached to the main brake assembly.
- (3) Remove the lug (A) of the main brake assembly (take-up side) and pull out the lug (B) after bringing it into alignment with the main deck notch.
- (4) Remove the lugs (C), (D) and (E) of the main brake assembly (supply side) from the main deck and pull them off. (See Fig.2-2-20a.)
- (5) When installing the main brake assembly (take-up side), slide the brake lever in the direction as indicated by the arrow to prevent it from hitting the projection of the main brake assembly (take-up side). (See Fig.2-2-20b.)

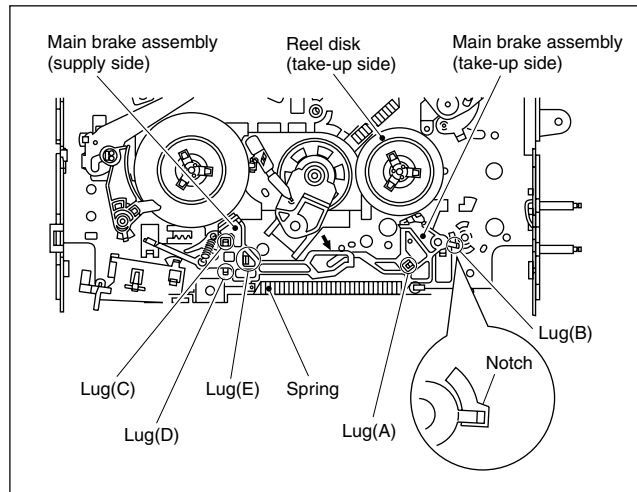
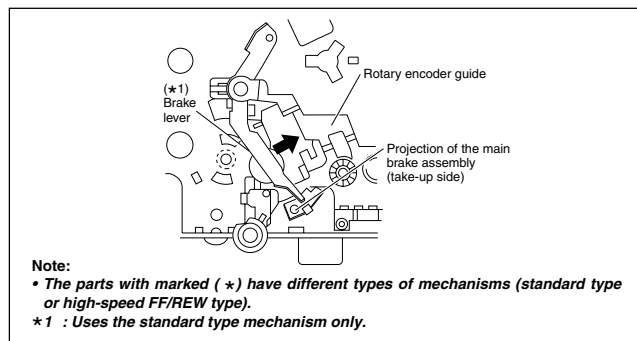


Fig. 2-2-20a



Note:
 • The parts with marked (*) have different types of mechanisms (standard type or high-speed FF/REW type).
 *1 : Uses the standard type mechanism only.

Fig. 2-2-20b

2.2.21 Tension Brake Assembly, Reel Disk (supply side) and Tension Arm Assembly

1. How to remove

- (1) Remove the three lugs of the tension brake assembly from the main deck and pull them off.
- (2) Remove the reel disk (supply side) by loosening in the arrow-indicated direction the main brake assembly (supply side).
- (3) Remove the tension spring on the back of the main deck. Then release the lug of the tension arm bearing in the arrow-indicated direction and draw out the tension arm assembly. (See Fig. 2-2-21a.)

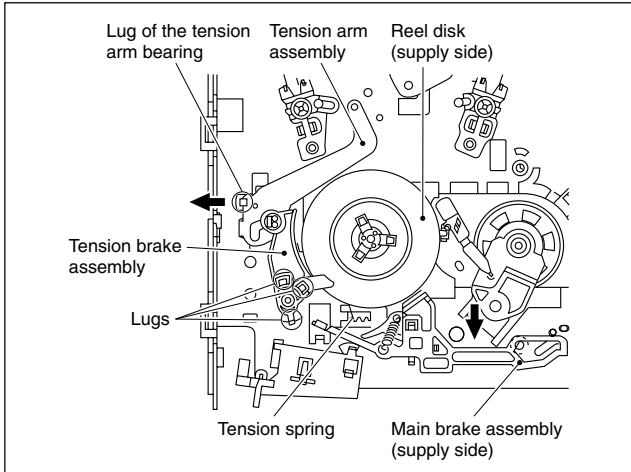


Fig. 2-2-21a

2.2.22 Idler Lever, Idler Arm Assembly

1. How to remove

- (1) Remove the lug of the idler lever from the main deck and remove the hook fitted in the idler arm assembly hole by lifting it.
- (2) Remove the slit washer and pull out the idler arm assembly.

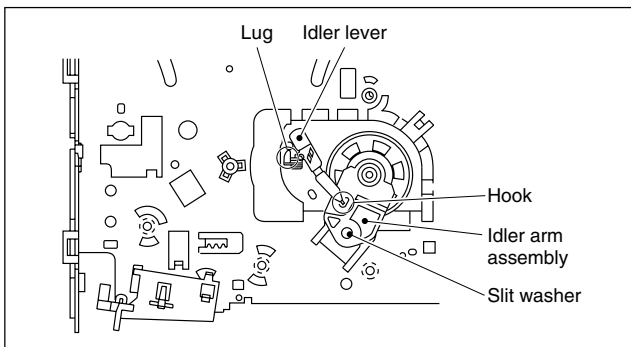


Fig. 2-2-22a

2.2.23 Stator Assembly

- (1) Remove the flat cable.
- (2) Remove the two screws (A).
- (3) Remove the stator assembly by lifting in the arrow-indicated direction. (Take care that the brush spring does not jump out.)
- (4) After installation, be sure to perform the PB switching point adjustment according to the electrical adjustment procedure.

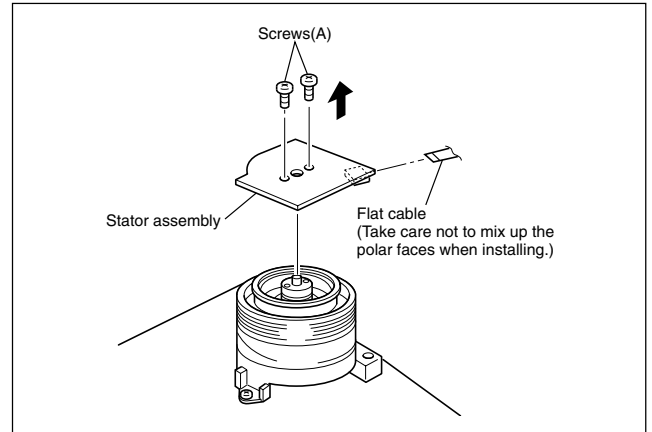


Fig. 2-2-23a

2.2.24 Rotor Assembly

- (1) Remove the stator assembly.
- (2) Remove the two screws (B) and remove the rotor assembly.

Note:

• **When installing the rotor assembly, note that a normal picture cannot be obtained without ensuring the phase matching as mentioned below.**

- (3) Match the phases of the upper drum assembly and the rotor assembly as indicated in Fig.2-2-24a.
- (4) Place the upper drum assembly hole (a) over the rotor assembly holes (b) (with three holes to be aligned) and tighten the two screws (B). (See Fig.2-2-24a.)

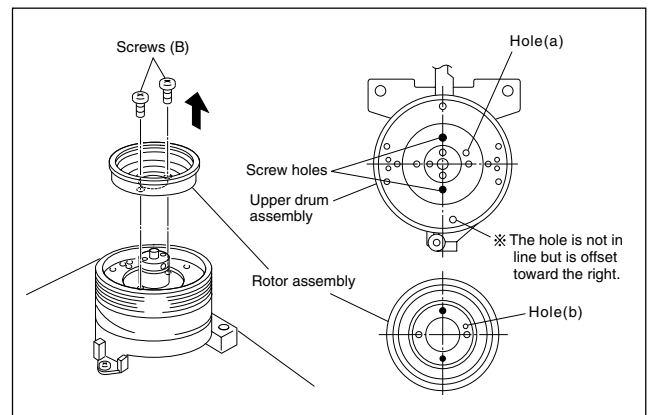


Fig. 2-2-24a

2.2.25 Upper Drum Assembly

1. How to remove

- (1) Remove the stator assembly and rotor assembly.
- (2) Loosen the screw of the collar assembly using a 1.5 mm hexagonal wrench and remove the collar assembly. Also remove the brush, spring and cap at one time.
- (3) Remove the upper drum assembly and remove the washer using tweezers.

Note:

- **When replacement is required, control the up-down movement of the brush. Never apply grease.**

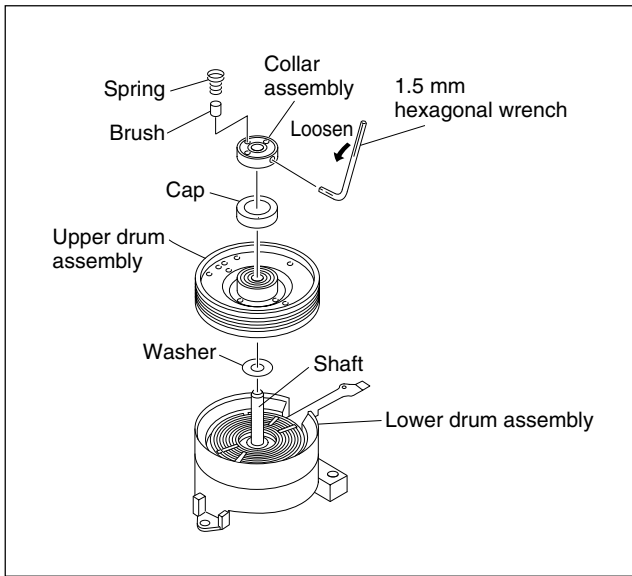


Fig. 2-2-25a

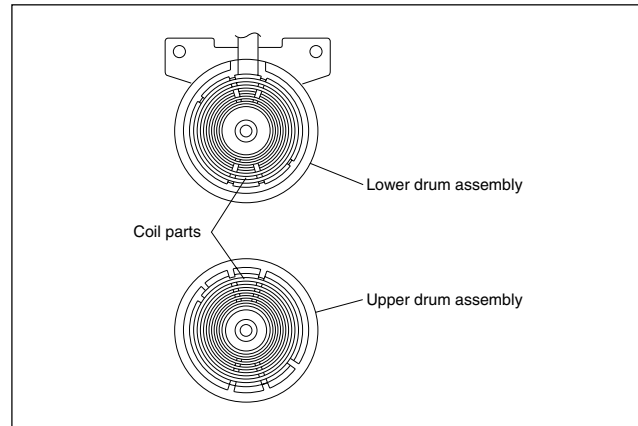


Fig. 2-2-25b

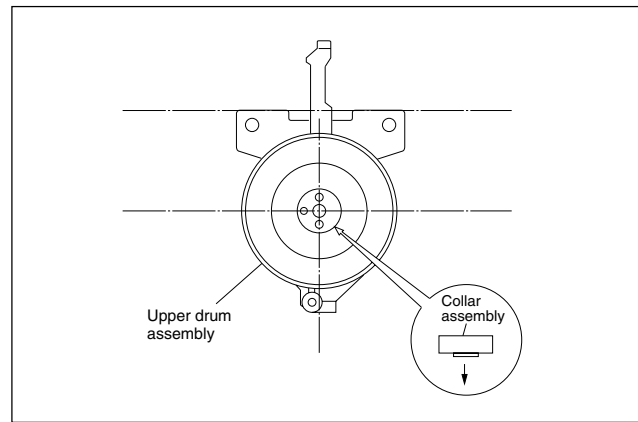


Fig. 2-2-25c

2. How to install

- (1) Clean the coil parts of the lower drum assembly and the newly installed upper drum assembly with an air brush in advance. (See Fig.2-2-25b.)
- (2) Install a new washer and upper drum assembly on the drum shaft. (See Fig.2-2-25a.)

Note:

- **When replacing the upper drum assembly, replace it together with the washer.**

- (3) Install the cap to the upper drum assembly.
- (4) Position the collar assembly as indicated in Fig.2-2-25c while controlling its up-down movement.
- (5) Secure the collar assembly in position with a hexagonal wrench while pressing its top with the fingers.
- (6) After installation, gently turn the upper drum assembly with your hand to make sure that it turns normally. Then install the brush and the spring.
- (7) Install the rotor assembly and stator assembly according to Fig 2-2-23a and 2-2-24a.
- (8) When installation is complete, clean the upper drum assembly and lower drum assembly and carry out the following adjustments.

- PB switching point adjustment
- Slow tracking adjustment
- Compatibility adjustment (Be sure to check for compatibility for the EP (or LP) mode.)

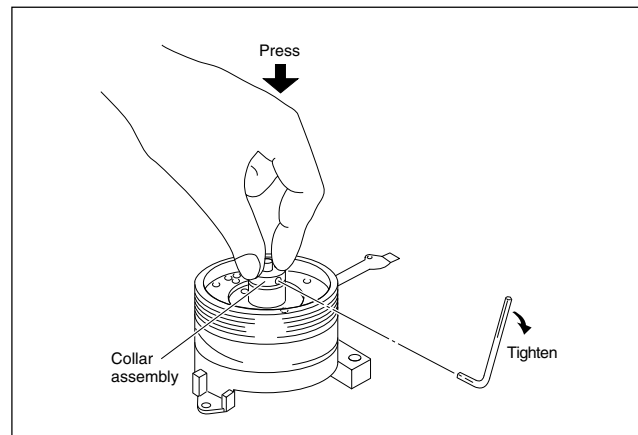


Fig. 2-2-25d

2.3 COMPATIBILITY ADJUSTMENT

Notes:

- **Although compatibility adjustment is very important, it is not necessary to perform this as part of the normal servicing work. It will be required when you have replaced the audio control head, drum assembly or any part of the tape transport system.**
- **To avoid any damage to the alignment tape while performing the compatibility adjustment, get a separate cassette tape (for recording and play back) ready to be used for checking the initial tape running behavior.**
- **Unless otherwise specified, all measuring points and adjustment parts are located on the Main board.**
- **When using the Jig RCU, set its custom code to match the custom code of the VCR.**

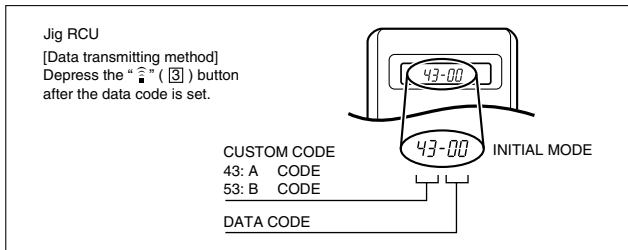


Fig. 2-3a Jig RCU [PTU94023B]

2.3.1 Checking/Adjustment of FM Waveform Linearity

Signal	(A1) (A2)	<ul style="list-style-type: none"> • Alignment tape(SP, staircase, PAL) [MHPE] • Alignment tape(LP, staircase, PAL) [MHPE-L]
Mode	(B)	<ul style="list-style-type: none"> • PB
Equipment	(C)	<ul style="list-style-type: none"> • Oscilloscope
Measuring point	(D)	<ul style="list-style-type: none"> • TP106 (PB, FM)
External trigger	(E)	<ul style="list-style-type: none"> • TP111 (D.FF)
Adjustment part	(F)	<ul style="list-style-type: none"> • Guide roller [Mechanism assembly]
Specified value	(G)	<ul style="list-style-type: none"> • Flat V.PB FM waveform
Adjustment tool	(H)	<ul style="list-style-type: none"> • Roller driver [PTU94002]

- (1) Play back the alignment tape (A1).
- (2) Apply the external trigger signal to D.FF (E), to observe the V.PB FM waveform at the measuring point (D).
- (3) Press the channel buttons (+, -) simultaneously to enter the manual tracking mode. This also brings tracking to the center (centre).
- (4) Make sure that there is no significant level drop of the V.PB FM waveform caused by the tracking operation, with its generally parallel and linear variation ensured. Perform the following adjustments when required. (See Fig. 2-3-1a.)

- (5) Reduce the V.PB FM waveform while pressing the channel buttons (+, -) during playback. If a drop in level is found on the left side, turn the guide roller of the pole base assembly (supply side) with the roller driver to make the V.PB FM waveform linear. If a drop in level is on the right side, likewise turn the guide roller of the pole base assembly (take-up side) with the roller driver to make it linear. (See Fig. 2-3-1c.)
- (6) Make sure that the V.PB FM waveform varies in parallel and linearly with the tracking operation again. When required, perform fine-adjustment of the guide roller of the pole base assembly (supply or take-up side).
- (7) Unload the cassette tape once, play back the alignment tape (A1) again and confirm the V.PB FM waveform.
- (8) After adjustment, confirm that the tape wrinkling does not occur at the roller upper or lower limits. (See Fig. 2-3-1d.)

[Perform adjustment step (9) only for the models equipped with SP mode and EP (or LP) mode.]

- (9) Repeat steps (1) to (8) by using the alignment tape (A2).

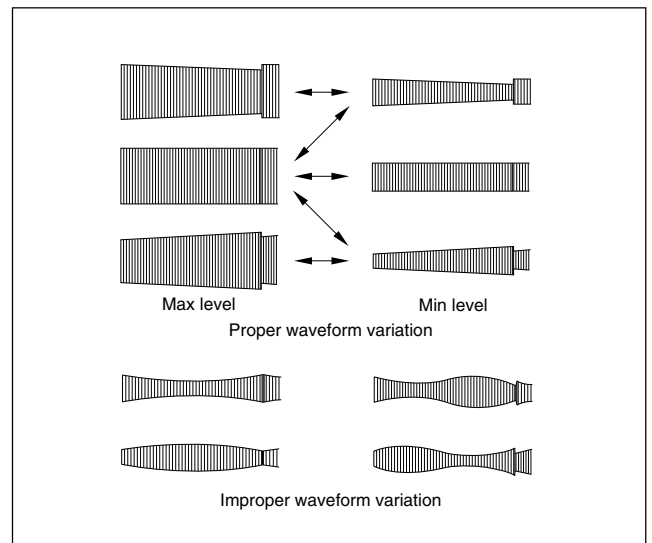


Fig. 2-3-1a

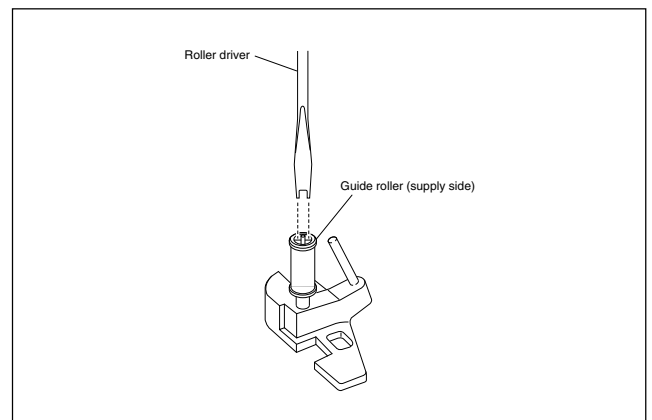


Fig. 2-3-1b

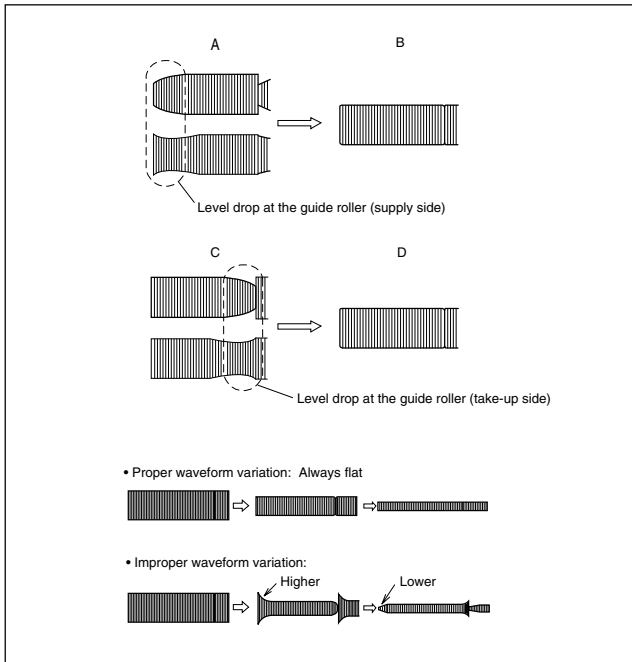


Fig. 2-3-1c

- (3) Press the channel buttons (+, -) simultaneously to enter the manual tracking mode. This also brings tracking to the center (centre).
- (4) Adjust the AUDIO OUT waveform and Control pulse waveform by turning the screws (1), (2) and (3) little by little until both waveforms reach maximum. The screw (1) and (3) are for adjustment of tilt and the screw (2) for azimuth.

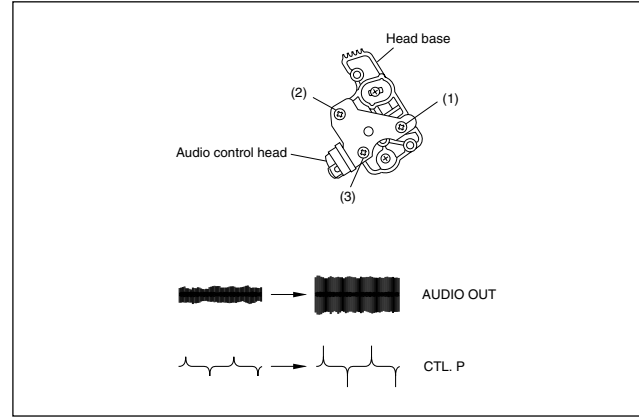


Fig. 2-3-2a

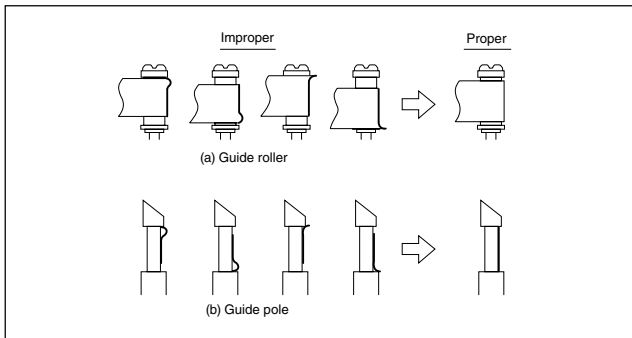


Fig. 2-3-1d

2.3.2 Checking/Adjustment of the Height and Tilt of the Audio Control Head

Note:

- Set a temporary level of the height of the A/C head in advance to make the adjustment easier after the A/C head has been replaced. (See Fig.2-2-6c.)

Signal	(A)	• Alignment tape(SP, stairstep, PAL) [MHPE]
Mode	(B)	• PB
Equipment	(C)	• Oscilloscope
Measuring point	(D1) (D2)	• AUDIO OUT terminal • TP4001 (CTL. P)
External trigger	(E)	• TP111 (D.FF)
Adjustment part	(F)	• A/C head [Mechanism assembly]
Specified value	(G)	• Maximum waveform

- (1) Play back the alignment tape (A).
- (2) Apply the external trigger signal to D.FF (E), to observe the AUDIO OUT waveform and Control pulse waveform at the measuring points (D1) and (D2) in the ALT mode.

2.3.3 Checking/Adjustment of the Audio Control Head Phase (X-Value)

Signal	(A1)	• Alignment tape(SP, stairstep, PAL) [MHPE]
Mode	(B)	• PB
Equipment	(C)	• Oscilloscope
Measuring point	(D)	• TP106 (PB. FM)
External trigger	(E)	• TP111 (D.FF)
Adjustment part	(F)	• A/C head base [Mechanism assembly]
Specified value	(G)	• Maximum V.PB FM waveform
Adjustment tool	(H)	• A/C head positioning tool [PTU94010]

- (1) Play back the alignment tape (A1).
- (2) Apply the external trigger signal to D.FF (E), to observe the V.PB FM waveform at the measuring point (D).
- (3) Press the channel buttons (+, -) simultaneously to enter the manual tracking mode. This also brings tracking to the center (centre).
- (4) Loosen the screws (4) and (5), then set the A/C head positioning tool to the innermost projected part of the A/C head. (See Fig. 2-3-3a.)
- (5) Turn the A/C head positioning tool fully toward the capstan. Then turn it back gradually toward the drum and stop on the second peak point position of the V.PB FM waveform output level. Then tighten the screws (4) and (5).
- (6) Perform the tracking operation and make sure that the V.PB FM waveform is at its maximum. If it is not at maximum, loosen the screws (4) and (5), and turn the A/C head positioning tool to bring the A/C head to a position, around where the waveform reaches its maximum for the first time. Then tighten the screws (4) and (5).

[Perform adjustments steps (7) to (10) only for 2 Head models equipped with LP mode.]

- (7) Then play back the alignment tape (A2).
- (8) Press the channel buttons (+, -) simultaneously to enter the manual tracking mode. This also brings tracking to the center (centre).
- (9) Perform the tracking operation and make sure that the V.PB FM waveform is at its maximum.
- (10) If it is not at maximum, loosen the screws (4) and (5), and turn the A/C head positioning tool to bring the A/C head to a position, around where the waveform reaches its maximum for the first time. Then tighten the screws (4) and (5).

Note:

- After adjusting, always perform the confirmation and re-adjustment of the item 2.3.4.

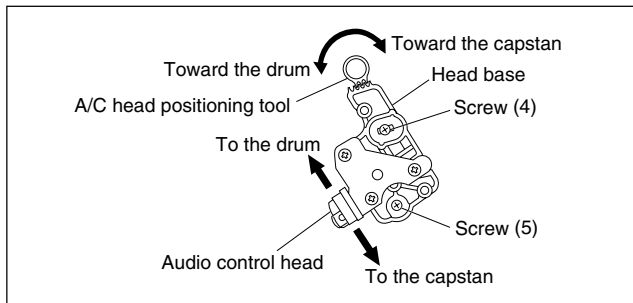


Fig. 2-3-3a

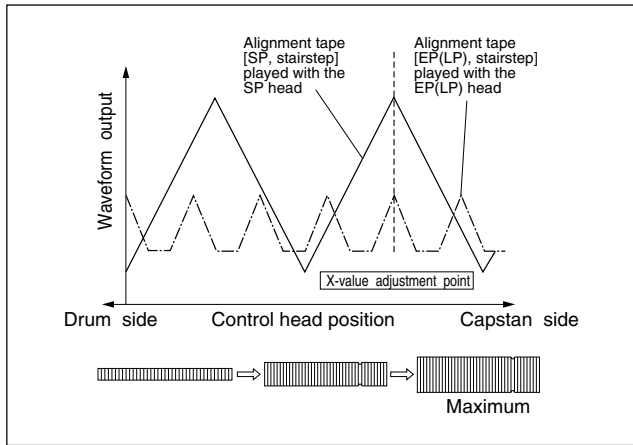


Fig. 2-3-3b

2.3.4 Checking/Adjustment of the Standard Tracking Preset

Signal	(A)	• Alignment tape(LP, stairstep, PAL) [MHPE-L]
Mode	(B)	• PB → Auto adjust
Equipment	(C)	• Oscilloscope
Measuring point	(D)	• TP106 (PB, FM)
External trigger	(E)	• TP111 (D.FF)
Adjustment part	(F)	• Jig RCU: Code "50"
Specified value	(G)	• STOP mode (Maximum V.PB FM waveform)
Adjustment tool	(H)	• Jig RCU [PTU94023B]

- (1) Play back the alignment tape (A).
- (2) Apply the external trigger signal to D.FF (E), to observe the V.PB FM waveform at the measuring point (D).
- (3) Confirm that the automatic tracking operation is completed.
- (4) Set the VCR to the Auto adjust mode by transmitting the code (F) twice from the Jig RCU. When the VCR enters the stop mode, the adjustment is completed.
- (5) If the VCR enters the eject mode, perform adjustment for the audio control head phase (X-value) again.

2.3.5 Checking/Adjustment of the Tension Pole Position

Signal	(A)	• Back tension cassette gauge [PUJ48076-2]
Mode	(B)	• PB
Adjustment part	(F)	• Adjust pin [Mechansim assembly]
Specified value	(G)	• 25 - 51 gf•cm (2.45 - 5 × 10 ⁻³ Nm)

- (1) Play back the back tension cassette gauge (A).
- (2) Check that the indicated value on the left side gauge is within the specified value (G).
- (3) If the indicated value is not within the specified value (G), perform the adjustment in a following procedure.
 - 1) Set the VCR to the mechanism service mode. (See 1.5 MECHANISM SERVICE MODE.)
 - 2) Set the VCR to the play back mode and adjust by turning adjustment pin to align the tension arm assembly edge with the main deck hole (A) on the right edge marker. (See Fig. 2-3-5a)

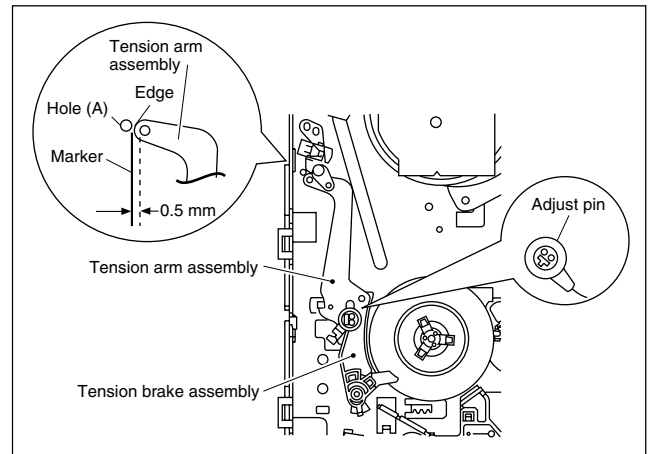
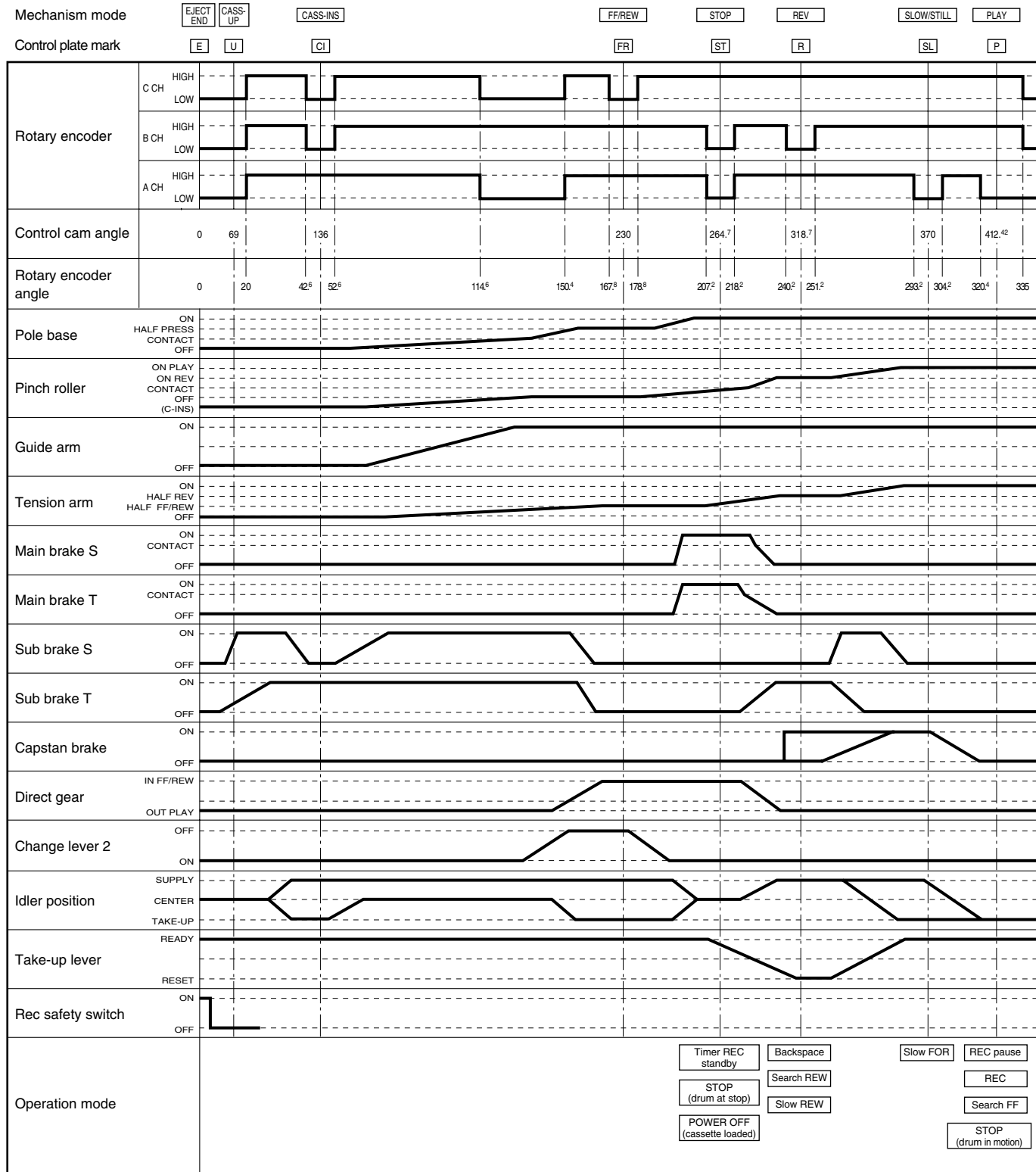


Fig. 2-3-5a

Mechanism Timing Chart



SECTION 3 ELECTRICAL ADJUSTMENT

3.1 PRECAUTION

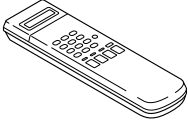
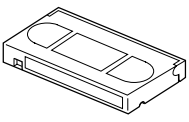
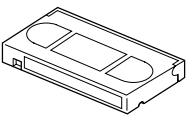
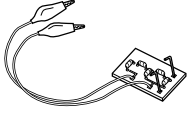
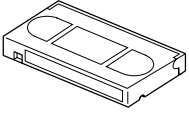
The following adjustment procedures are not only necessary after replacement of consumable mechanical parts or board assemblies, but are also provided as references to be referred to when servicing the electrical circuitry.

In case of trouble with the electrical circuitry, always begin a service by identifying the defective points by using the measuring instruments as described in the following electrical adjustment procedures. After this, proceed to the repair, replacement and/or adjustment. If the required measuring instruments are not available in the field, do not change the adjustment parts (variable resistor, etc.) carelessly.

3.1.1 Required test equipments

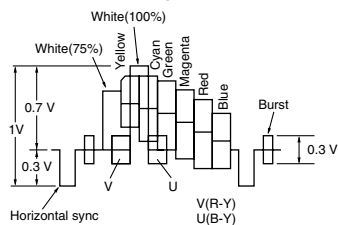
- Color (colour) television or monitor
- Oscilloscope: wide-band, dual-trace, triggered delayed sweep
- Frequency counter
- Signal generator: RF / IF sweep / marker
- Signal generator: stairstep, color (colour) bar [PAL/SECAM]
- Recording tape
- Digit-key remote controller(provided)

3.1.2 Required adjustment tools

Jig RCU PTU94023B	Alignment tape (SP, stairstep, PAL) MHPE	Alignment tape (SP, stairstep, NTSC) MHP
		
LPF PTU93006	Alignment tape (S-VHS, SP/LP, color (colour) bar) MH-2H	
		

3.1.3 Color (colour) bar signal, Color (colour) bar pattern

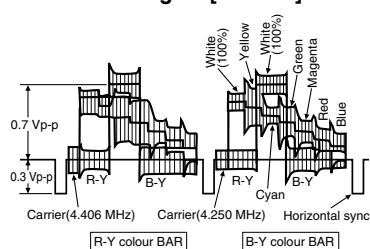
• Colour bar signal [PAL]



• Colour bar pattern [PAL]

White (75%)	Yellow	Cyan	Green	Magenta	Red	Blue
V	U	White 100%	Black			

• Colour bar signal [SECAM]



• Colour bar pattern [SECAM]

White	Yellow	Cyan	Green	Magenta	Red	Blue
R-Y	White 100%	B-Y		Black		

3.1.4 Switch settings and standard precautions

The SW settings of the VCR and the standard precautions for the electrical adjustments are as follows.

- **When using the Jig RCU, set its custom code to match the custom code of the VCR.**

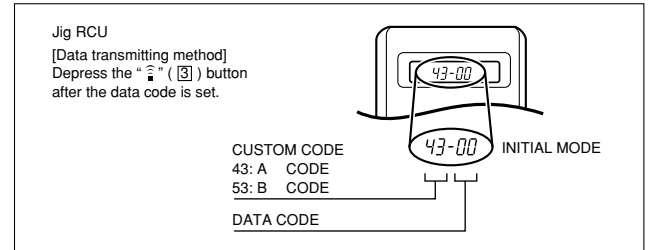


Fig. 3-1-4a Jig RCU [PTU94023B]

- **Set the switches as shown below unless otherwise specified on the relevant adjustment chart. The switches that are not listed below can be set as desired.**

If the VCR is not equipped with the functions detailed below, setup is not required.

AUTO PICTURE/VIDEO CALIBRATION/ B.E.S.T./D.S.P.C.	OFF
PICTURE CONTROL/SMART PICTURE	NORMAL/NATURAL
VIDEO STABILIZER	OFF
TBC	ON
Digital 3R	ON
VIDEO NAVIGATION/TAPE MANAGER	OFF

- **Unless otherwise specified, all measuring points and adjustment parts are located on the Main board.**

- **In the Signal column of the adjustment chart, "Ext. S-input" means the Y/C separated video signal and "Ext. input" means the composite video signal input.**

3.1.5 EVR Adjustment

Some of the electrical adjustments require the adjustment performed by the EVR system. The Main board assembly have EEPROMs for storing the EVR adjustment data and user setups.

Notes:

- **In the EVR adjustment mode, the value is varied with the channel buttons (+, -). The adjusted data is stored when the setting mode changes (from PB to STOP, when the tape speed is changed, etc.). Take care to identify the current mode of each adjustment item when making an adjustment.**

- **When changing the address setting in the EVR adjustment mode, use the Jig RCU or the remote controller having numeric keypad with which a numeric code can be directly input.**

The remote control code of the Jig RCU corresponds to each of the digit keys on the remote controller as follows.

Digit-key	0	1	2	3	4	5	6	7	8	9
Code	20	21	22	23	24	25	26	27	28	29

- **As the counter indication and remaining tape indication are not displayed FDP during the EVR adjustment mode, check them on the TV monitor screen.**

- When performing the EVR adjustment, confirm that the FDP indication is changed to the EVR mode, as shown below.

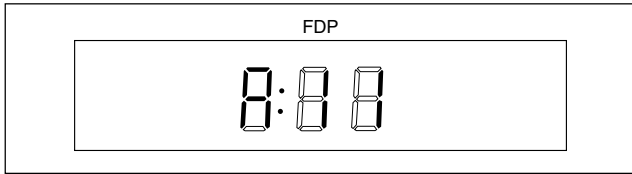


Fig. 3-1-5a EVR mode

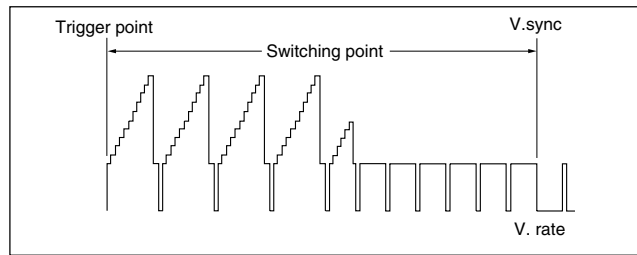


Fig. 3-2-1a Switching point

3.2 SERVO CIRCUIT

3.2.1 Switching point

Signal	(A1) (A2) (A3)	<ul style="list-style-type: none"> • Stairstep signal • Alignment tape(SP, stairstep, PAL) [MHPE] • Alignment tape(SP, stairstep, NTSC) [MHP]
Mode	(B)	<ul style="list-style-type: none"> • PB • TBC: OFF
Equipment	(C)	<ul style="list-style-type: none"> • Oscilloscope
Measuring point	(D1) (D2)	<ul style="list-style-type: none"> • VIDEO OUT terminal • TP106 (PB. FM)
External trigger	(E)	<ul style="list-style-type: none"> • TP111 (D.FF)/slope : –
Adjustment part	(F1) (F2)	<ul style="list-style-type: none"> • Jig RCU: Code “5A” • Jig RCU: Code “51” or “52”
Specified value	(G1) (G2)	<ul style="list-style-type: none"> • 7.5 ±0.5H • 8.0 ±0.5H [MHPE] • 7.5 ±0.5H [MHP]
Adjustment tool	(H)	<ul style="list-style-type: none"> • Jig RCU [PTU94023B]

[HR-S6700MS]

- (1) Play back the signal (A1) of the alignment tape (A2).
- (2) Apply the external trigger signal to D.FF (E) to observe the VIDEO OUT waveform and V.PB FM waveform at the measuring points (D1) and (D2).
- (3) Press the channel buttons (+, –) simultaneously to enter the manual tracking mode. This also brings tracking to the center (centre).
- (4) Adjust tracking by pressing the channel buttons (+, –) so that the V.PB FM waveform becomes maximum.
- (5) Set the VCR to the Auto adjust mode by transmitting the code (F1) from the Jig RCU. When the VCR enters the stop mode, the adjustment is completed.
- (6) If the VCR enters the eject mode, repeat steps (1) to (5) again.
- (7) Play back the alignment tape (A2) again, confirm that the switching point is the specified value (G1).

[HR-S7700MS]

- (1) Play back the signal (A1) of the alignment tape (A2).
- (2) Apply the external trigger signal to D.FF (E) to observe the VIDEO OUT waveform and V.PB FM waveform at the measuring points (D1) and (D2).
- (3) Press the channel buttons (+, –) simultaneously to enter the manual tracking mode. This also brings tracking to the center (centre).
- (4) Adjust tracking by pressing the channel buttons (+, –) so that the V.PB FM waveform becomes maximum.
- (5) Transmit the code (F2) from the Jig RCU to adjust so that the trigger point of the VIDEO OUT waveform is changed from the trailing edge of the V.sync signal becomes the specified value (G2).
- (6) Set the VCR to the stop mode or eject mode.
- (7) Play back the signal (A1) of the alignment tape (A3).
- (8) Repeat steps (2) to (6).

3.2.2 Slow tracking preset

Signal	(A1) (A2)	<ul style="list-style-type: none"> • Ext. input • Color (colour) bar signal [PAL]
Mode	(B1) (B2)	<ul style="list-style-type: none"> • S-VHS SP • S-VHS LP
Measuring point	(D)	<ul style="list-style-type: none"> • TV-Monitor
Adjustment part	(F)	<ul style="list-style-type: none"> • Jig RCU: Code “71” or “72”
Specified value	(G)	<ul style="list-style-type: none"> • Minimum noise
Adjustment tool	(H)	<ul style="list-style-type: none"> • Jig RCU [PTU94023B]

- (1) Record the signal (A2) in the mode (B1), and play back the recorded signal.
- (2) Press the channel buttons (+, –) simultaneously to enter the manual tracking mode. This also brings tracking to the center (centre).
- (3) Set the VCR to the FWD slow (+1/6x) mode.
- (4) Transmit the code (F) from the Jig RCU to adjust so that the noise bar becomes the specified value (G) on the TV monitor in the slow mode.
- (5) Set the VCR to the Stop mode.
- (6) Confirm that the noise bar is (G) on the TV monitor in the slow mode.
- (7) Repeat steps (3) to (6) in the REV slow (–1/6x) mode.
- (8) Repeat steps (1) to (7) in the mode (B2).

Note:

- For FWD slow (+1/6x) playback, transmit the code “08” from the Jig RCU to enter the slow playback mode, and transmit the code “D0” for REV slow (–1/6x) mode.

3.3 VIDEO CIRCUIT

3.3.1 D/A level

Signal	(A1) (A2) (A3)	<ul style="list-style-type: none"> • Ext. S-input / Ext. input • Color (colour) bar signal [PAL] • S-VHS tape
Mode	(B)	<ul style="list-style-type: none"> • S-VHS • EE
Equipment	(C)	<ul style="list-style-type: none"> • Oscilloscope
Measuring point	(D)	<ul style="list-style-type: none"> • Y OUT terminal (75Ω terminated)
Adjustment part	(F)	<ul style="list-style-type: none"> [HR-S6700MS] • VR1201 (D/A LEVEL ADJ) [2D board] [HR-S7700MS] • VR1401 (D/A LEVEL ADJ) [3D board]
Specified value (Note)	(G)	<ul style="list-style-type: none"> • 1.00 ± 0.015 Vp-p (reference value)

- (1) Insert the cassette tape (A3) to enter the mode (B).
- (2) Observe the Y OUT waveform at the measuring point (D).
- (3) Check the Y level value when the External S-input (Y/C separated video signal).
- (4) Switch the input signal to the External input (composite video signal), and adjust the adjustment part (F) so that the Y level becomes the same value observed in step (3).

Note:

- The specified value (G) is just a reference value to be obtained when the External S-Video (Y/C separated video) signal is input. In actual adjustment, set it to the value observed in step (3).

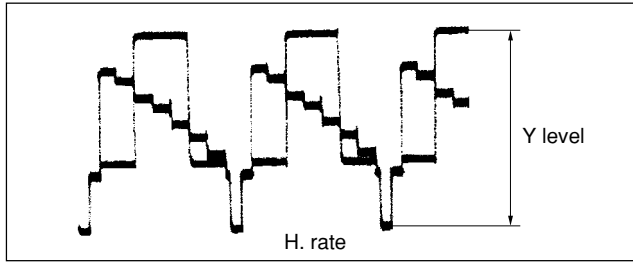


Fig. 3-3-1a D/A level

3.3.2 EE Y level

Signal	(A1) (A2)	• Ext. input • Color (colour) bar signal [PAL]
Mode	(B)	• EE
Equipment	(C)	• Oscilloscope
Measuring point	(D)	• Y OUT terminal (75Ω terminated)
EVR mode EVR address	(F1) (F2)	• Jig RCU: Code "57" • A:11 (Press remote controller "1" key twice)
Specified value	(G)	[HR-S6700MS] • 1.00 ±0.05 Vp-p [HR-S7700MS] • 1.00 ±0.03 Vp-p
Adjustment tool	(H)	• Jig RCU [PTU94023B] • Digit-key remote controller

- (1) Observe the Y OUT waveform at the measuring point (D).
- (2) Set the VCR to the EVR mode by transmitting the code (F1) from the Jig RCU.
- (3) Set the EVR address to (F2) by pressing the button of the digit-key remote controller.
- (4) Adjust with the channel buttons (+, -) on the VCR (or on the remote controller) so that the Y level of the Y OUT waveform becomes the specified value (G).
- (5) Release the EVR mode of the VCR by transmitting the code (F1) from the Jig RCU again. (When the EVR mode is released, the adjusted data is memorized.)

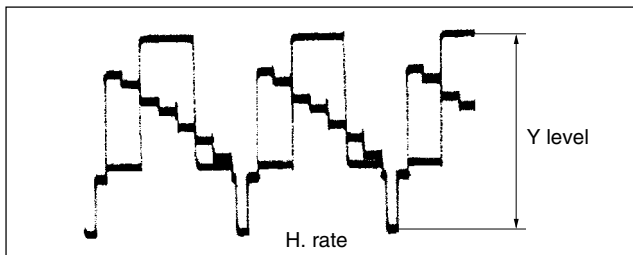


Fig. 3-3-2a EE Y level

3.3.3 PB Y level (S-VHS / VHS)

Signal	(A1) (A2)	• Ext. input • Color (colour) bar signal [PAL]
Mode	(B1) (B2)	• S-VHS SP • VHS SP
Equipment	(C)	• Oscilloscope
Measuring point	(D)	• Y OUT terminal (75Ω terminated)
EVR mode EVR address	(F1) (F2)	• Jig RCU: Code "57" • A:11 (Press remote controller "1" key twice)
Specified value	(G)	[HR-S6700MS] • 1.00 ±0.05 Vp-p [HR-S7700MS] • 1.00 ±0.03 Vp-p
Adjustment tool	(H)	• Jig RCU [PTU94023B] • Digit-key remote controller

- (1) Observe the Y OUT waveform at the measuring point (D).
- (2) Record the signal (A2) in the mode (B1), and play back the recorded signal.
- (3) Press the channel buttons (+, -) simultaneously to enter the manual tracking mode. This also brings tracking to the center (centre).
- (4) Set the VCR to the EVR mode by transmitting the code (F1) from the Jig RCU.
- (5) Set the EVR address to (F2) by pressing the button of the digit-key remote controller.
- (6) Adjust with the channel buttons (+, -) on the VCR (or on the remote controller) so that the Y level of the Y OUT waveform becomes the specified value (G).
- (7) Release the EVR mode of the VCR by transmitting the code (F1) from the Jig RCU again. (When the EVR mode is released, the adjusted data is memorized.)
- (8) Repeat steps (2) to (7) in the mode (B2).

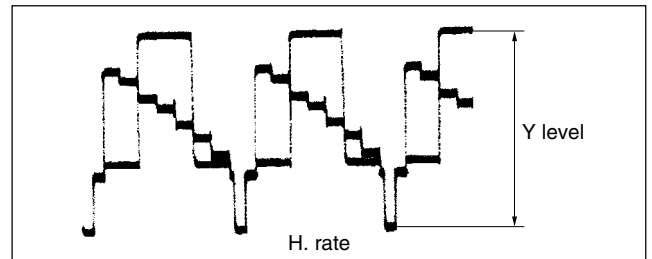


Fig. 3-3-3a PB Y level

3.3.4 REC color (colour) level

Signal	(A1) (A2) (A3)	• Alignment tape(S-VHS,SP/LP,color(colour) bar)[MH-2H] • Ext. input • Color (colour) bar signal [PAL]
Mode	(B1) (B2)	• S-VHS SP • S-VHS LP
Equipment	(C)	• Oscilloscope
Measuring point	(D1) (D2)	• TP106 (PB. FM) • PB color (colour) output of the LPF
External trigger	(E)	• TP111 (D.FF)
EVR mode EVR address	(F1) (F2)	• Jig RCU: Code "57" • A:02 (Press remote controller "0" and "2" keys)
Specified value	(G)	• SP: "B" x 125 ± 5% • LP: "B" x 125 ± 5%
Adjustment tool	(H1) (H2) (H3)	• Jig RCU [PTU94023B] • Digit-key remote controller • LPF[PTU93006] (See Fig. 3-3-4a.)

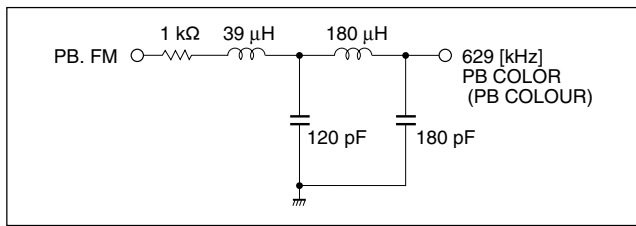


Fig. 3-3-4a LPF

- (1) Connect the adjustment tool (H3) to the measuring point (D1).
- (2) Apply the external trigger signal to D.F.F (E) to observe the PB color (colour) waveform at the measuring point (D2).
- (3) Play back the signal (A3) in the mode (B1) of the alignment tape (A1).
- (4) Press the channel buttons (+, -) simultaneously to enter the manual tracking mode. This also brings tracking to the center (centre).
- (5) Adjust tracking by pressing the channel buttons (+, -) so that the PB color (colour) waveform becomes maximum. Make a note of the higher PB color (colour) level as "B" at this time.
- (6) Record the signal (A3) in the mode (B1), and play back the recorded signal.
- (7) Set the VCR to the EVR mode by transmitting the code (F1) from the Jig RCU.
- (8) Set the EVR address to (F2) by pressing the button of the digit-key remote controller.
- (9) Adjust with the channel buttons (+, -) on the VCR (or on the remote controller) so that the higher level channel becomes the specified value (G) of the note "B" level as shown in Fig. 3-3-4b. (Adjust before recording, then confirm it by playing back.)
- (10) After adjustment, record the signal (A3) then playing it back again. At this time, confirm that there is no inverting phenomenon or noise appearing on the playback screen.
- (11) Release the EVR mode of the VCR by transmitting the code (F1) from the Jig RCU again. (When the EVR mode is released, the adjusted data is memorized.)
- (12) Repeat steps (3) to (11) in the mode (B2).

Note:

- **After adjusting, always perform the confirmation and re-adjustment of the item 3.4.1.**

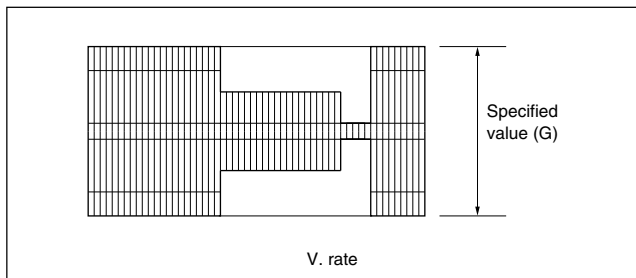


Fig. 3-3-4b REC color (colour) level

3.3.5 Video EQ (Frequency response)

Signal	(A1) (A2)	<ul style="list-style-type: none"> • Ext. S-input • Video sweep signal
Mode	(B1) (B2) (B3)	<ul style="list-style-type: none"> • S-VHS SP • S-VHS LP • Picture Control / Smart Picture REC : Normal / Natural PB : Edit / Distinct
Equipment	(C)	<ul style="list-style-type: none"> • Oscilloscope
Measuring point Frequency marker	(D1) (D2)	<ul style="list-style-type: none"> • Y OUT terminal (75Ω terminated) • 3 [MHz]
External trigger	(E)	<ul style="list-style-type: none"> • TP111 (D.F.F)
EVR mode EVR address	(F1) (F2)	<ul style="list-style-type: none"> • Jig RCU: Code "57" • A:03 (Press remote controller "0" and "3" keys)
Specified value	(G)	<ul style="list-style-type: none"> • SP: 3.6 ±0.4 div. (-1 ±1 dB) • LP: 3.2 ±0.4 div. (-2 ±1 dB)
Adjustment tool	(H)	<ul style="list-style-type: none"> • Jig RCU [PTU94023B] • Digit-key remote controller

- (1) Apply the external trigger signal to D.F.F (E) to observe the Y OUT waveform at the measuring point (D1).
- (2) Record the signal (A2) in the mode (B1), and play back the recorded signal.
- (3) Press the channel buttons (+, -) simultaneously to enter the manual tracking mode. This also brings tracking to the center (centre).
- (4) Set the VCR to the EVR mode by transmitting the code (F1) from the Jig RCU.
- (5) Set the EVR address to (F2) by pressing the button of the digit-key remote controller.
- (6) Set the slope of the oscilloscope to the channel having higher (D2) marker level of the Y OUT waveform [signal (A2)]. Then set the 100 kHz marker level to the "4" scale on the oscilloscope. In this condition, adjust with the channel buttons (+, -) on the VCR (or on the remote controller) so that the (D2) marker level reaches the specified value (G).
- (7) Release the EVR mode of the VCR by transmitting the code (F1) from the Jig RCU again. (When the EVR mode is released, the adjusted data is memorized.)
- (8) Repeat steps (2) to (7) in the mode (B2).

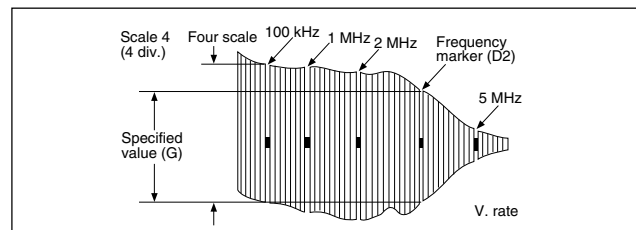


Fig. 3-3-5a Video EQ (Frequency Response)

3.3.6 AUTO PICTURE initial setting

Signal	(A1) (A2) (A3)	<ul style="list-style-type: none"> • Ext. input • Video: Optional • VHS tape
Mode	(B)	<ul style="list-style-type: none"> • EE → Auto adjust (SP/LP REC → PB)
Adjustment part	(F)	<ul style="list-style-type: none"> • Jig RCU : Code "58"
Specified value	(G)	<ul style="list-style-type: none"> • STOP mode
Adjustment tool	(H)	<ul style="list-style-type: none"> • Jig RCU [PTU94023B]

- (1) Insert the cassette tape (A3).
- (2) Set the VCR to the Auto adjust mode by transmitting the code (F) from the Jig RCU. When the VCR enters the stop mode, the adjustment is completed. When the VCR enters the eject mode, repeat steps (1) to (2) again.

3.4 AUDIO CIRCUIT

Notes:

- This adjustment should be done after the "REC color (colour) level adjustment" for the video circuit has been completed.
- GND (Ground) should be taken from the Tuner shield case.

3.4.1 Audio REC FM

Signal	(A1) (A2) (A3)	• Ext. input • Audio: No signal • Video: Color (colour) bar signal [PAL]
Mode	(B)	• S-VHS LP
Equipment	(C)	• Oscilloscope
Measuring point	(D)	• TP2253 (A. PB. FM)
External trigger	(E)	• TP111 (D.FF)
EVR mode	(F1)	• Jig RCU: Code "57"
EVR address	(F2)	• A: 30 (Press remote controller "3" and "0" keys.)
Specified value	(G1) (G2)	• 450 ± 100 mVp-p • More than 300 mVp-p
Adjustment tool	(H)	• Jig RCU [PTU94023B] • Digit-key remote controller

- (1) Apply the external trigger signal to D.FF (E) to observe the Audio PB FM waveform at the measuring point (D).
- (2) Record the signal (A3) with no audio signal input in the mode (B), and play back the recorded signal.
- (3) Press the channel buttons (+, -) simultaneously to enter the manual tracking mode. This also brings tracking to the center (centre).
- (4) If the A.PB FM level is not within the specified value (G1), perform the adjustment in a following procedure.
- (5) Set the VCR to the EVR mode by transmitting the code (F1) from the Jig RCU.
- (6) Set the EVR address to (F2) by pressing the button of the digit-key remote controller.
- (7) Adjust with the channel buttons (+, -) on the VCR (or on the remote controller) so that the A.PB FM level of the higher channel level becomes the specified value (G1). (Adjust before recording, then confirm it by playing back.)
- (8) If the specified value (G1) is not obtained, adjust with the channel buttons (+, -) so that the waveform level of the lower channel level becomes the specified value (G2). (Adjust before recording, then confirm it by playing back.)
- (9) Release the EVR mode of the VCR by transmitting the code (F1) from the Jig RCU again. (When the EVR mode is released, the adjusted data is memorized.)

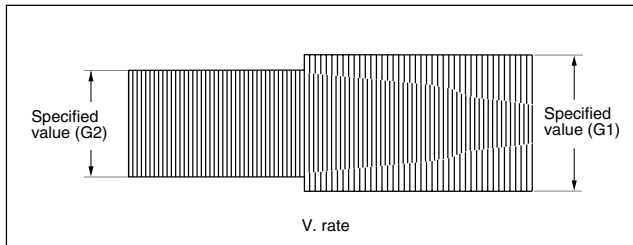


Fig. 3-4-1a Audio REC FM

3.5 PAL/SECAM CONVERTER CIRCUIT

Note:

- Unless otherwise specified in this P/S Converter circuit adjustments, all measuring points and adjustment parts are located on the P/S Converter board.

3.5.1 fH VCO

Signal	(A1) (A2)	• Ext. input • Color (colour) bar signal [SECAM]
Mode	(B)	• EE
Equipment	(C)	• Oscilloscope
Measuring point	(D1)	• IC3504 pin 4 (H OUT)
Short point	(D2)	• TP3503
Adjustment part	(F)	• VR3501 (FH FREE RUN ADJ.)
Specified value	(G)	• $fH = 15.625 \pm 0.2$ kHz ($T = 64 \pm 0.8$ μ sec)

- (1) Connect the short wire between the short point (D2) and the GND (Ground).
- (2) Observe the waveform appeared at the measuring point (D1).
- (3) Adjust the adjustment part (F) so that the fH SYNC frequency becomes the specified value (G).
- (4) Disconnect the short wire between the short point (D2) and the GND (Ground).

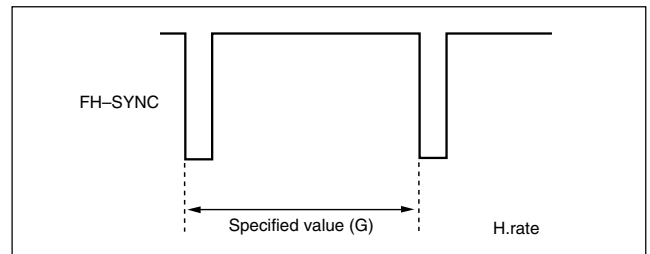


Fig. 3-5-1a fH VCO

3.5.2 DEMOD Fo

Signal	(A1) (A2)	• Ext. input • Color (colour) bar signal [SECAM]
Mode	(B)	• EE
Equipment	(C)	• Oscilloscope
Measuring point	(D1) (D2)	• TP3501 round (B-Y) • TP3502 round (R-Y)
Adjustment part	(F1) (F2)	• L3513 (SECAM DECODE ADJ.) • VR3502 (SECAM DECODE ADJ.)
Specified value	(G)	• Less than 20 mVp-p

- (1) Observe the B-Y waveform at the measuring point (D1).
- (2) Adjust the adjustment part (F1) so that the difference between the blanking level and the pedestal level of the B-Y waveform becomes the specified value (G).

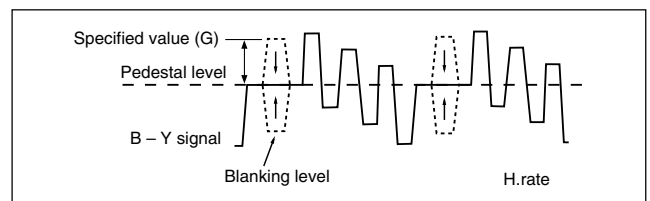


Fig. 3-5-2a DEMOD Fo-1

- (3) Observe the R-Y waveform at the measuring point (D2).

- (4) Adjust the adjustment part (F2) so that the difference between the blanking level and the pedestal level of the R-Y waveform becomes the specified value (G).

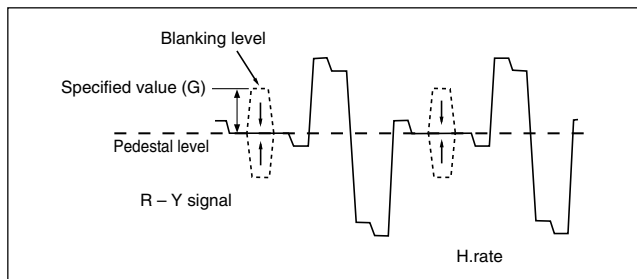


Fig. 3-5-2b DEMOD Fo-2

3.5.3 Colour difference level

Signal	(A1) (A2)	• Ext. input • Color (colour) bar signal [SECAM]
Mode	(B)	• EE
Equipment	(C)	• Oscilloscope
Measuring point	(D)	• TP3504 round (CONV'D COLOR)
Adjustment part	(F1) (F2) (F3) (F4)	• L3513 (SECAM DECODE ADJ.) • VR3502 (SECAM DECODE) • VR3506 (B-Y LEVEL ADJ.) • VR3505 (R-Y LEVEL ADJ.)
Specified value	(G1) (G2) (G3)	• Less than 30 mVp-p (CARRIER LEAK) • 460 ± 20 mVp-p : VR3506 (B-Y) • 620 ± 20 mVp-p : VR3505 (R-Y)

- Observe the C (converted colour) waveform at the measuring point (D).
- Fine adjust the adjustment part (F1) so that the carrier leak becomes the specified value (G1). In case the adjustment cannot be accomplished, after fine adjust the adjustment part (F1) so that the carrier leak is reduced to its minimum level then fine adjust the adjustment part (F2).
- Adjust the adjustment part (F3) so that the higher level of the Yellow and Blue of the C waveform becomes the specified value (G2).
- Adjust the adjustment part (F4) so that the higher level of the Green and Magenta of the C waveform becomes the specified value (G3).

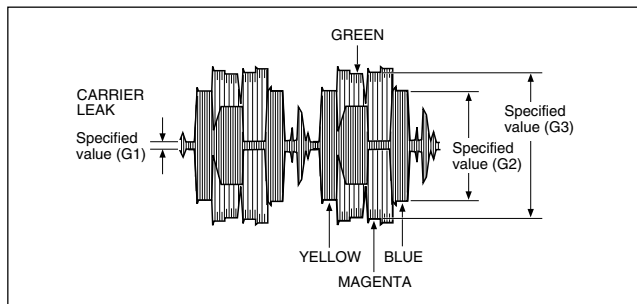


Fig. 3-5-3a Colour difference level

3.5.4 PAL burst position

Signal	(A1) (A2)	• Ext. input • Color (colour) bar signal [SECAM]
Mode	(B)	• EE
Equipment	(C)	• Oscilloscope
Measuring point	(D1) (D2)	• CN3502 pin 1 • TP3504 (CONV'D COLOR)
Adjustment part	(F)	• VR3503 (PAL BURST ADJ.)
Specified value	(G)	• $T_r = 5.6 \pm 0.1 \mu\text{sec}$

- Observe the waveforms appeared at the measuring points (D1) and (D2).
- Adjust the adjustment part (F) so that the waveforms timing width between the H-SYNC and the colour burst signal becomes the specified value (G).

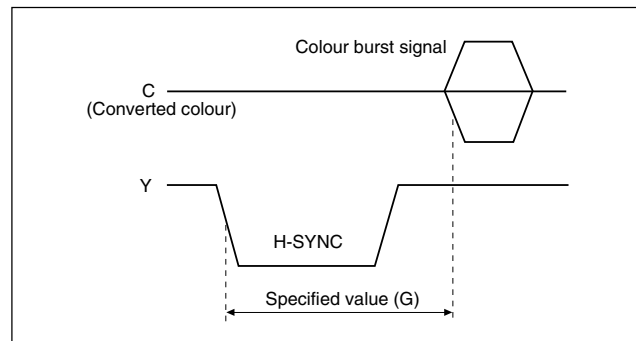


Fig. 3-5-4a PAL burst position